



## Polarization Maintaining Filter Coupler (PMFC Series)

Rev 11

The Polarization Maintaining Filter Coupler is manufactured by using advanced technology to allow the input signal to be splitted at various ratios with high extinction ratio. It supports both polarizations.

### Specifications

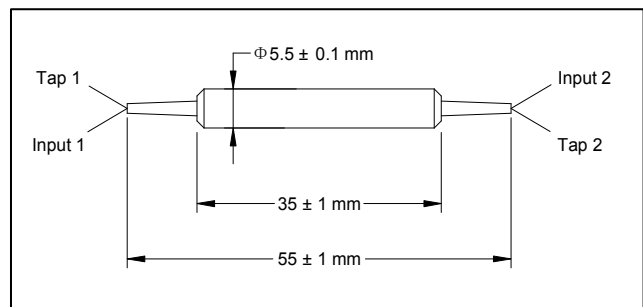
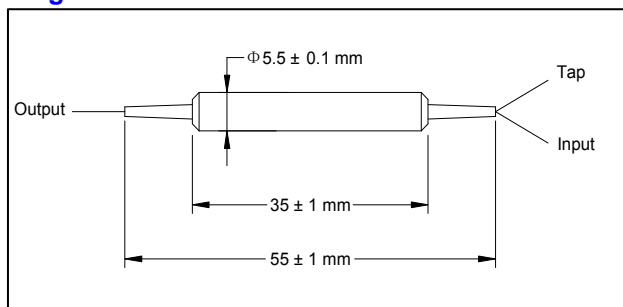
Parameter	Unit	Value	
Center Wavelength ( $\lambda_c$ )	nm	1310 or 1550	
Operating Wavelength Range	nm	$\lambda_c \pm 40$	
Configuration		1 × 2	2 × 2
Max. Excess Loss	dB	0.7	1.0
Max. Uniformity	dB	0.6	0.8
Tap Ratio	%	1 ± 0.5%, 5 ± 1.0%, 10 ± 2.0%, and 50%	
Min. Return Loss	dB	50	50
Min. Extinction Ratio	dB	20	18
Max. Optical Power (Continuous Wave)	mW	300	
Max. Tensile Load	N	5	
Operating Temperature	°C	-5 to +70	
Storage Temperature	°C	-40 to +85	

Fiber Type

SMF-28 or PM Panda fiber for tap port  
PM Panda fiber for input & output ports

\*IL is 0.3 dB higher, RL is 5 dB lower, and ER is 2 dB lower for each connector added. Connector key is aligned to slow axis.

### Package Dimensions



### Ordering Information

PMFC-①①-②-③③-④-⑤-⑥-⑦-⑧

①①: Wavelength

31 - 1310 nm

55 - 1550 nm

SS - Specify

②: Configuration

1 - 1 × 2

2 - 2 × 2

③③: Coupling Ratio

01 - 1/99

05 - 5/95

10 - 10/90

50 - 50/50

SS - Specify

④: Connector Type

1 - FC/UPC    4 - SC/APC

2 - FC/APC    N - None

3 - SC/UPC    S - Specify

⑤: Fiber Jacket

B - 250  $\mu$ m Panda fiber

L - 900  $\mu$ m loose tube

S - Specify

⑥: Fiber Type for Tap Port

M - SMF-28 fiber

P - Panda fiber

S - Specify

⑦: Fiber Length

Q - 0.75 m

S - Specify

⑧: Working Axis

B - Both axis working