

Key Features

- Compact linear polarization maintaining EDFA OEM module
- Amplifying the linearly polarized light along the PM-fiber's slow axis, blocking the light along fast axis
- Extended operation temperature range available, etc., -20 to +70 °C case temp.

Applications

- Telecom, Test & Measurement, Sensing, R&D, etc.

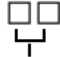
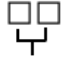
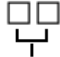
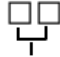

Typical Specifications

Parameter	C-band	L-band	S-band	Units
Operating wavelength	1528-1565	1570-1605	1505-1520	nm
Optical input power (typical)	-40 to 0	-20 to 0	-20 to 0	dBm
Signal gain (for lowest input power)	Up to 43	Up to 35	Up to 32 (@1520nm)	dB
Saturated output power	Up to +26	Up to +25	Up to +23 (@1520nm)	dBm
Polarization extinction ratio	≥ 20	≥ 20	≥ 20	dB
Noise figure	≤ 5.5	≤ 6.0	≤ 6.5	dB
Temperature range of operation	-5 to +65	-5 to +65	-5 to +65	°C
Input voltage rating	+4.75	5	+5.25	V
Power dissipation ⁽¹⁾	≤ 30	≤ 30	≤ 30	W
Communication interface	RS232			
Input/Output Connectors	Customer specified, PM-FC/UPC, PM-FC/APC, etc.			

Note (1): Power dissipation depends on the different levels of saturated optical output power, ambient temperature, etc.

Specifications are subject to change without prior notice

Ordering Information:

EDFA-CW- PM 	-  -		-  - 
<u>Wavelength Range</u>	<u>Package Type</u>	<u>Output Power (dBm)</u>	<u>Signal Gain (dB)</u> <u>Optical Termination</u>
<u>C-band</u> C0 single channel C4 DWDM gain flattened <u>L-band</u> L0 single channel L4 DWDM gain flattened <u>C&L-band</u> CL0 single channel CL4 DWDM gain flattened	MR MSA compatible, control electronics included HR Half-MSA compatible, control electronics included RS Nuphoton custom chassis, control electronics included PR 19" rack-mount	Eg.: 18 +18 dBm	Eg.: 30 30 dB FCU FC/UPC FCA FC/APC LCU LC/UPC LCA LC/APC SCU SC/UPC SCA SC/APC CUS Customer Specified

Ordering Example 1 :

Model Number	EDFA-CW-PM-CL0-RS-20-30-FCA
Wavelength Range [nm]	1528 – 1605, single channel
Package Type	Module, Nuphoton custom chassis
Saturated Optical Output Power [dBm]	+20 [combined, +17dBm in C & L band, respectively]
Nominal Signal Gain [dB]	30
Optical Input / Output Termination	PM-FC/APC

Ordering Example 2 :

Model Number	EDFA-CW-PM-C4-PR-20-22-1.0-FCA
Wavelength Range [nm]	1530 – 1563, Gain Flattened
Package Type	19" 1U rack mount
Saturated Optical Output Power [dBm]	+20
Nominal Signal Gain [dB]	22
Peak-to-peak Gain Variation [dB]	1
Optical Input / Output Termination	PM-FC/APC