

# INPHENIX

## Super-Luminescent Light Emitting Diode Device

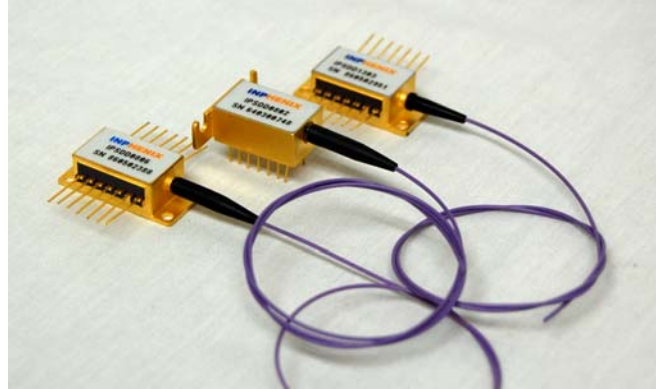
### IPSDD1007 (1040nm)

#### Features

- Wide Optical Bandwidth
- Very Low Spectral Ripple
- Very High Output Power in SM/or PM Fiber

#### Applications

- Non-Coherent Light Source
- Fiber Optic Sensor (FOS) System
- Biomedical Imaging Device
- OCT Diagnostic System



#### Device Specifications

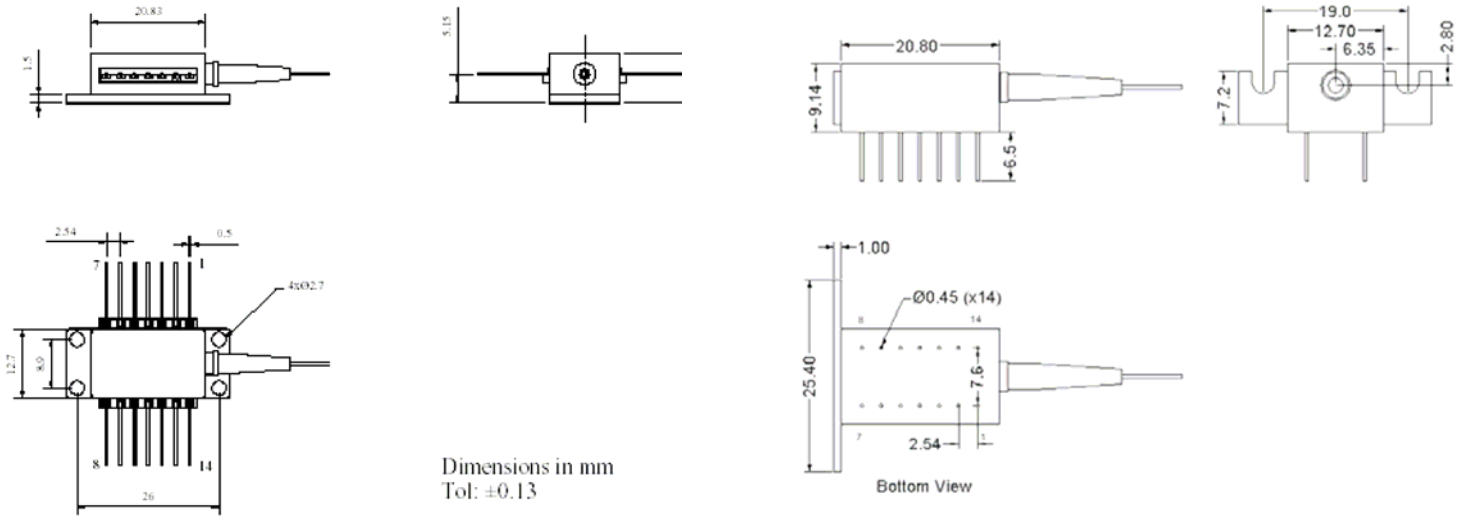
Parameter	Symbol	Min.	Typ.	Max.	Unit
Central Wavelength	$\lambda_c$	1030	1040	1050	nm
3dB Bandwidth	$\Delta\lambda_{3dB}$	50	55	-	nm
Output Power in SM Fiber	$P_o$	25	30	-	mW
Spectral Modulation Depth <sub>p-p</sub>	$\Delta$	-	0.2	0.5	dB
Operating Current	$I_F$	-	400	500	mA
Back Facet Monitor	Available upon request				

#### Absolute Maximum Ratings

Parameter	Min.	Max.	Unit
Operating Temperature	- 20	70	°C
Storage Temperature	- 40	85	°C
TEC Drive Current	-	1.5	A
TEC Drive Voltage	-	3.6	V
Maximum Current	600		mA
Thermistor Resistance	10k $\Omega$ @ 25°C		
SLD Chip Temperature Setting	25°C		
Fiber Type	SMF/PMF/MMF		
Fiber Jacket	250 $\mu$ m tight buffer with 900 $\mu$ m loose tube		
Package	14-pin DIL/14-pin BUT/8-pin BUT		
Lead Solder Temperature	260°C for 10 Seconds		

# INPHENIX

## Package Dimensions



14-Pin BUT Package

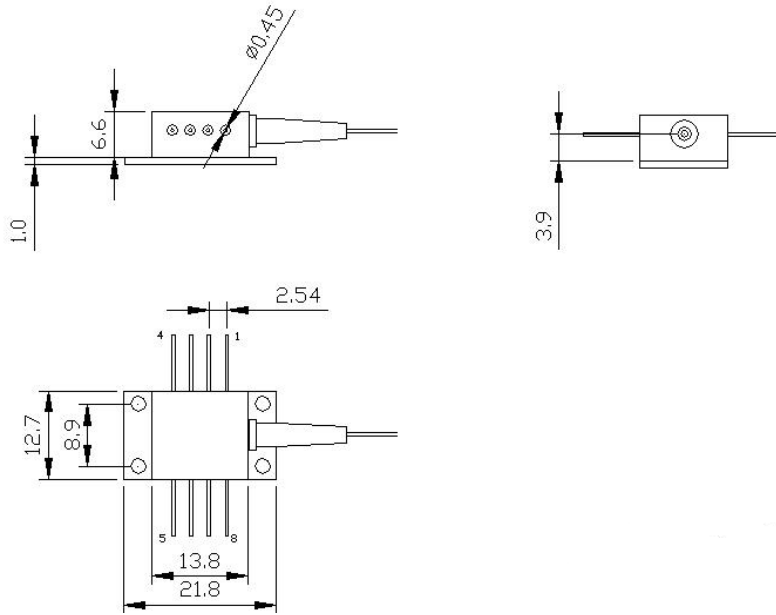
14-Pin DIL Package

### Pin Definition

14-pin BUT package				14-pin DIL package			
Pin	Function	Pin	Function	Pin	Function	Pin	Function
1	TEC (+)	8	NC	1	TEC (+)	8	NC
2	Thermistor	9	NC	2	NC	9	SLD (-)
3	NC	10	SLD (+)	3	NC	10	Case
4	NC	11	SLD (-)	4	NC	11	Thermistor
5	Thermistor	12	NC	5	SLD (+)	12	Thermistor
6	NC	13	Case	6	NC	13	NC
7	NC	14	TEC (-)	7	NC	14	TEC (-)

- If the SLD is ordered with a Back Facet Monitor, Pin 7 is PD-Cathode and Pin 8 is PD+Anode

# INPHENIX



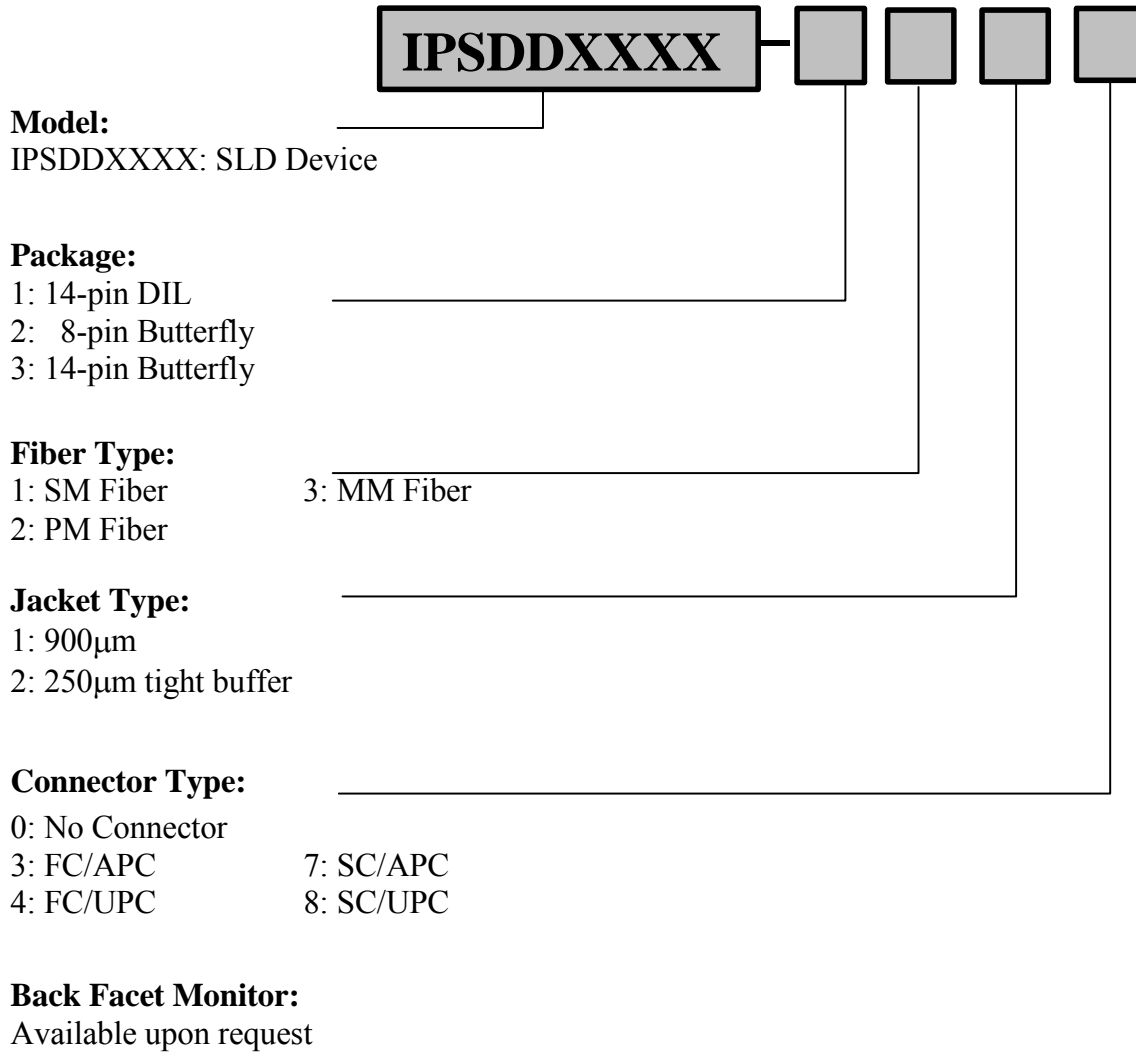
**8-Pin BUT Package**

## Pin Definition

8-pin BUT package	
Pin	Function
1	TEC (+)
2	NC
3	NC
4	SLED (+)
5	SLED (-)
6	Thermistor
7	Thermistor
8	TEC (-)

# INPHENIX

## Part Numbering System



**Example:** IPSSDD0805-1224: 850nm SLD in 14-pin DIL with 250µm tight buffered PM Fiber with FC/UPC connectors

**Corporate Office**  
250 North Mines Rd  
Livermore, CA 94551  
Tel: 925.606.8809  
Fax: 925.606.8810  
[www.inphenix.com](http://www.inphenix.com)  
[sales@inphenix.com](mailto:sales@inphenix.com)



**日本デバイス株式会社**

[www.j-device.com](http://www.j-device.com)

〒104-0028  
東京都中央区八重洲2-10-8 八重洲ビル3F  
営業部 [sales@j-device.com](mailto:sales@j-device.com)  
代表:03-6262-3424 営業:03-5542-1667