



(2+1)×1 Multimode Pump & Signal Combiner (MMPC Series)

Features

- High Power Transfer Efficiency
- Wide Wavelength Range
- Proprietary Tapering and Package Technique
- Custom Configurations Available

Applications

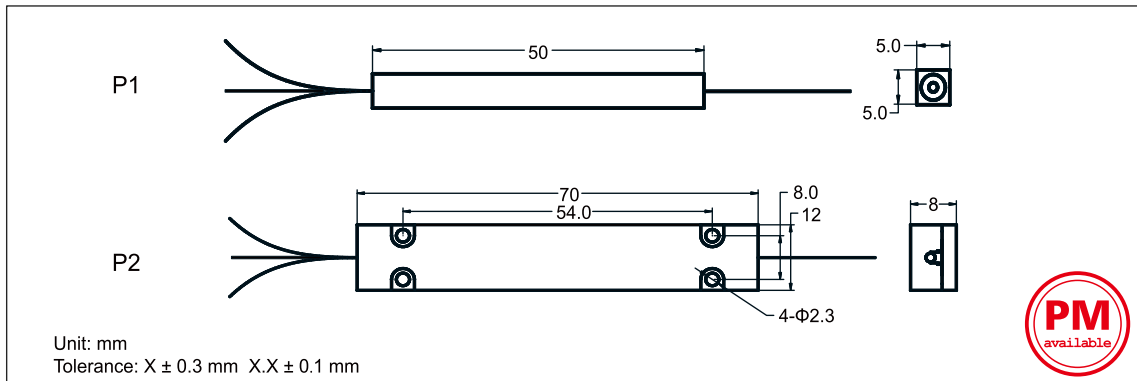
- Fiber Lasers
- High Power EDFA
- CATV Amplifiers

Specifications

Parameter	Unit	Value	
Product Type		(2+1)×1	
Pump Wavelength Range	nm	900 - 1000	
Signal Wavelength Range	nm	1060 or 1550	
Fiber Type for Input (Pump Channel)		105/125 (NA 0.15 or 0.22)	
Fiber Type for Input (Signal Channel)		10/125 DCF, 20/130 DCF	
Fiber Type for Output		10/125 DCF, 20/130 DCF	
Signal Channel Insertion Loss	dB	< 0.50	
Typ. Pump Efficiency	%	94	
Min. Pump Efficiency	%	92	
Max. Input Pump Power	W	2 × 5	2 × 30
Package Dimensions	mm	P1: 50 (L) × 5 (W) × 5 (H)	P2: 70 (L) × 12 (W) × 8 (H)
Operating Temperature	°C	0 to +65	
Storage Temperature	°C	-40 to +85	

*Mode number summation of all input fibers should be less than that of output fiber.

Package Dimensions



Ordering Information

MMPC-(2+1)×1-①①-②②②-③③-④④-⑤⑤-⑥-⑦

①①: Signal Wavelength 06 - 1060 nm 55 - 1550 nm SS - Specify	②②②: Pump Wavelength 915 - 915 nm 975 - 975 nm SSS - Specify	③③: Fiber Type for Pump Input 15 - 105/125 (NA 0.15) 22 - 105/125 (NA 0.22)	
④④: Fiber Type for Signal Input 10 - 10/125 DCF (NA 0.08/0.46) 20 - 20/130 DCF (NA 0.08/0.46) SS - Specify	⑤⑤: Fiber Type for Output 10 - 10/125 DCF (NA 0.08/0.46) 20 - 20/130 DCF (NA 0.08/0.46) SS - Specify	⑥: Fiber Length Q - 0.75 m 1 - 1.0 m S - Specify	⑦: Package Type 1 - P1 2 - P2



日本デバイス株式会社 E-mail sales@j-device.com

www.j-device.com

Tel 03-6262-3424 Fax 03-6800-5883