



1310/1550 nm PM Circulator with Tap for Port 1 (PMCI RT Series)

The Polarization Maintaining Optical Circulator is a compact high performance lightwave component that routes incoming signals from Port 1 to Port 2, and incoming Port 2 signals to Port 3. The component provides high isolation, low insertion loss, high extinction ratio, and excellent environment stability.

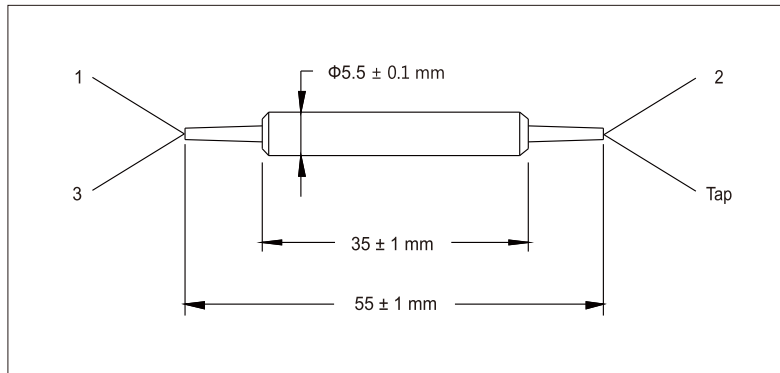
Specifications

| Parameter | Unit | Type A |
|---|------|--------------------|
| Center Wavelength (λ_c) | nm | 1310 or 1550 |
| Operating Wavelength Range | nm | $\lambda_c \pm 30$ |
| Max. Insertion Loss P1 to P2/Tap | dB | 1.2/22 |
| Max. Insertion Loss P2 to P3 | dB | 1.2 |
| Min. Isolation, 23 °C, P2 to P1, P3 to P2 | dB | 40 |
| Min. Extinction Ratio | dB | 20 |
| Min. Crosstalk P1 to P3 | dB | 50 |
| Min. Return Loss | dB | 50 |
| Max. Optical Average Power | mW | 300 |
| Max. Peak Power for ns Pluse | kW | 10 |
| Max. Tensile Load | N | 5 |
| Operating Temperature | °C | -5 to +70 |
| Storage Temperature | °C | -40 to +85 |

*IL is 0.3 dB higher, RL is 5 dB lower, and ER is 2 dB lower for each connector added.

*Connector key is aligned to slow axis. The optical path is aligned to slow axis, and fast axis is blocked.

Package Dimensions



Package Dimensions

PMCI RT-①①-②-③-④-⑤-⑥⑥

| | | | | |
|----------------|------------|-------------------|----------------------------|-----------------|
| ①①: Wavelength | ②: Type | ③: Connector Type | ④: Fiber Jacket | ⑤: Fiber Length |
| 31 - 1310 nm | 1 - Type A | 1 - FC/UPC | B - 250 μ m bare fiber | Q - 0.75 m |
| 55 - 1550 nm | | 2 - FC/APC | L - 900 μ m loose tube | S - Specify |
| SS - Specify | | 3 - SC/UPC | S - Specify | |
| | | 4 - SC/APC | | |
| | | N - None | | |
| | | S - Specify | | |

⑥⑥: Tap ratio for Port 1

01 - 1%

S - Specify