



## 2×1/3×1 Multimode Pump & Signal Combiner (MMPC Series)

### Features

- High Power Transfer Efficiency
- Wavelength Insensitive
- Particular Pulling and Package Technique
- Custom Configurations Available

### Applications

- High Power Fiber Laser

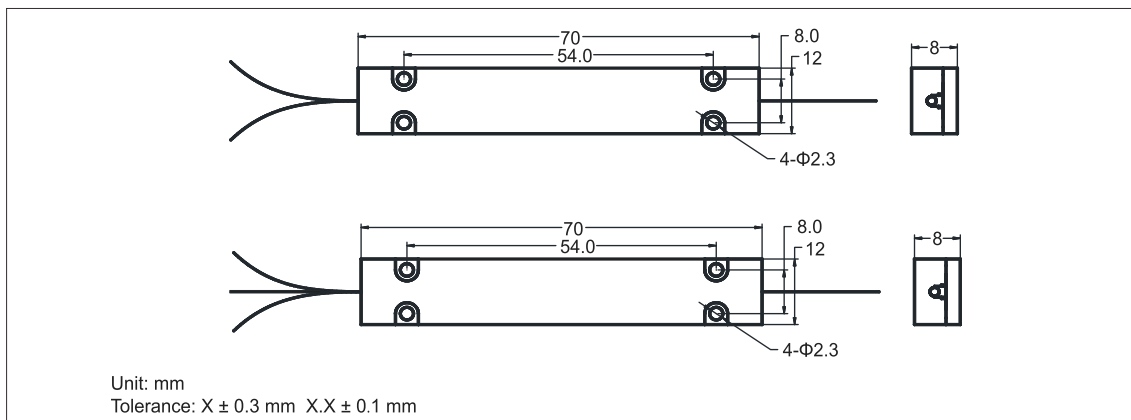
Custom Products Available upon Request.

### Specifications

Parameter	Unit	Value	
Product Type		2 × 1	3 × 1
Pump Wavelength Range	nm	900 - 1000	
Fiber Type for Input (Pump Channel)		Nufern 105/125 NA 0.22	
Fiber Type for Output		Nufern MM-S200/220-22A	Nufern 200/240 NA 0.22 MMF
Max. Input Pump Power	W	2 × 50	3 × 100
Min. Multimode Power Transfer Efficiency	%	Min. 93% (Typ. 95%)	
Package Dimensions	mm	70 (L) × 12 (W) × 8 (H)	
Storage Temperature	°C	-40 to + 85	
Operating Temperature	°C	0 to + 65	

\*Mode number summation of all input fibers should be less than that of output fiber.

### Package Dimensions



### Package Dimensions

#### MMPC-2x1-①①①-②②-③③③-④

①①①: Pump Wavelength	②②: Fiber Type for Pump Input	③③③: Fiber Type for Output	④: Fiber Length
915 - 915 nm	22 - Nufern 105/125 NA 0.22	200 - Nufern MM-S200/220-22A	Q - 0.75 m
975 - 975 nm			S - Specify
SSS - Specify			

#### MMPC-3x1-①①①-②②-③③③-④

①①①: Pump Wavelength	②②: Fiber Type for Pump Input	③③③: Fiber Type for Output	④: Fiber Length
915 - 915 nm	22 - Nufern 105/125 NA 0.22	200 - Nufern 200/240 NA 0.22 MMF	Q - 0.75 m
975 - 975 nm			S - Specify
SSS - Specify			