



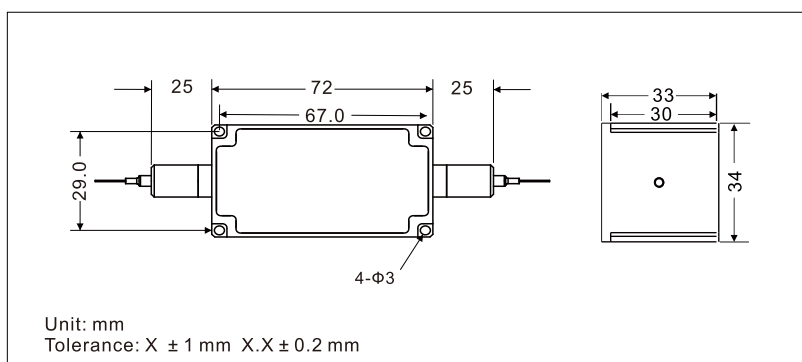
980 nm 20 W Isolator (HI Series)

The 980 nm High Power Polarization Insensitive Isolator is characterized with low insertion loss, high isolation, high power handling, high return loss, excellent environmental stability and reliability. It is ideal for fiber laser and instrumentation applications.

Specifications

Parameter	Unit	Value
Center Wavelength (λ_c)	nm	980
Typ. Peak Isolation	dB	30
Min. Isolation, λ_c , 23 °C, all polarization states	dB	25
Typ. Insertion Loss, 23 °C	dB	1.3
Max. Insertion Loss, 23 °C	dB	1.5
Min. Return Loss (Input/Output)	dB	45/45
Max. Polarization Dependent Loss	dB	0.2
Max. Average Optical Power	W	20
Max. Peak Power for ns Pulse	kW	10
Max. Tensile Load	N	5
Fiber Type		HI 1060 fiber
Operating Temperature	°C	10 to +50
Storage Temperature	°C	0 to +60

Package Dimensions



Ordering Information

HI-①①-②②-③-④-⑤-⑥-⑦

①①: Wavelength 98 - 980 nm SS - Specify	②②: Handling Power 03 - 3 W 10 - 10 W 20 - 20 W SS - Specify	③: Connector Type N - None	④: Fiber Jacket B - 250 μ m bare fiber L - 900 μ m loose tube S - Specify
⑤: Fiber Length 1 - 1.0 m S - Specify	⑥: Fiber Type 1 - HI 1060 fiber S - Specify	⑦: Power Type P - Pulsed C - Continuous Wave	