



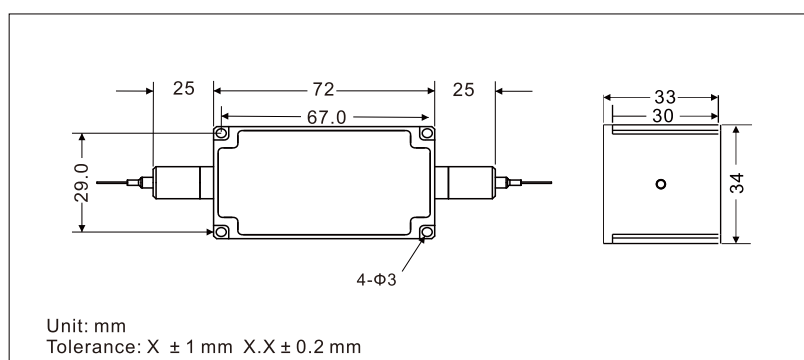
980 nm 20 W PM Isolator (HPMI Series)

The 980 nm High Power Polarization Maintaining Isolator is characterized with low insertion loss, high isolation, high power handling, high return loss, excellent environmental stability and reliability. It is ideal for fiber laser and instrumentation applications.

Specifications

Parameter	Unit	Value
Center Wavelength (λ_c)	nm	980
Typ. Peak Isolation	dB	30
Min. Isolation, λ_c , 23 °C, all polarization states	dB	25
Typ. Insertion Loss, 23 °C	dB	1.3
Max. Insertion Loss, 23 °C	dB	1.5
Min. Return Loss (Input/Output)	dB	45/45
Min. Extinction Ratio	dB	20
Max. Average Optical Power	W	20
Max. Peak Power for ns Pulse	kW	10
Max. Tensile Load	N	5
Fiber Type		PM 980 Panda fiber

Package Dimensions



Ordering Information

HPMI-①①-②②-③③-④④-⑤⑤-⑥⑥-⑦⑦

①①: Wavelength 98 - 980 nm SS - Specify	②②: Handling Power 03 - 3 W 10 - 10 W 20 - 20 W SS - Specify	③③: Connector Type N - None	④④: Fiber Jacket B - 250 μ m bare fiber L - 900 μ m loose tube S - Specify
⑤⑤: Fiber Length Q - 0.75 m S - Specify	⑥⑥: Working Axis F - Fast axis blocked B - Both axes working	⑦⑦: Power Type P - Pulsed C - Continuous Wave	