

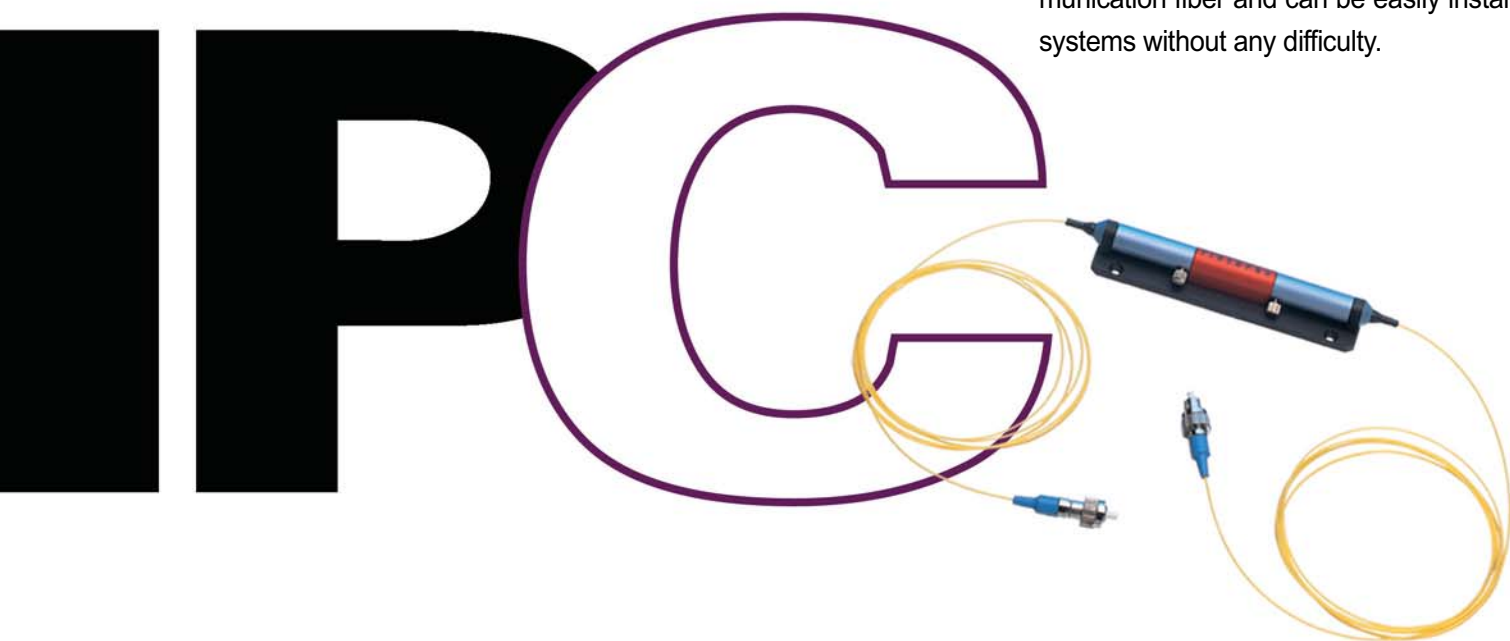
In-Line Polarization Controller

PC1100

PC1100 is suitable for fiber optic systems and experiments where small size is especially needed.

Although it performs complete functions of bulky conventional polarization controllers, it fits in most rack mountable housings and electronic circuit boards.

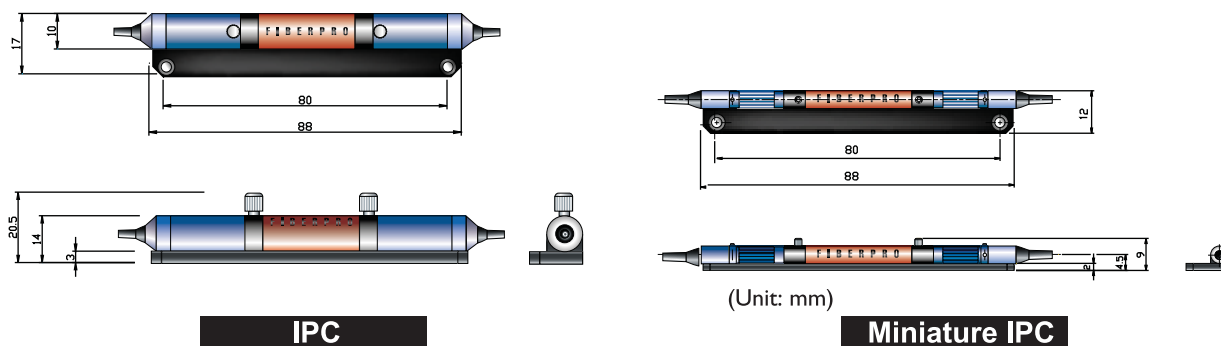
PC1100 is pigtailed with conventional communication fiber and can be easily installed in systems without any difficulty.



Features

- Super compact size
- Easy to system integration
- No squeeze on fiber
- No damage on fiber jacket
- Two independent control parameter
- Low loss
- High shock endurance
- Miniature In-line Polarization Controller

Dimensions



Specification

	IPC	Miniature IPC
Operating Wavelength Range	1520 ~ 1620 nm	
Insertion Loss	< 0.3 dB ¹⁾	
Polarization Extinction Ratio	> 20 dB (> 25 dB typical)	
Return Loss	> 60dB	
Dimensions (W x D x H)	88mm x 19.5mm x 17mm	88mm x 10mm x 6mm

1) Without connector spec

The specifications and technical information contained herein are subject to change without notice and are furnished without charge or obligation. They are given and accepted at recipients sole risks.

Ordering code

PC1100-(1)-(2)

1. wavelength → 1550 nm (15), 1310nm(13)
2. connector type → FC/PC(F/P), FC/APC(F/A), SC/PC(S/P), SC/APC(S/A), No connector(X)

Example : PC1100-15-X

→ In-Line Polarization Controller operating at 1550 nm with no connectors.