

## Coarse Wavelength Division Multiplexers (CWDM Series)

Rev 11B

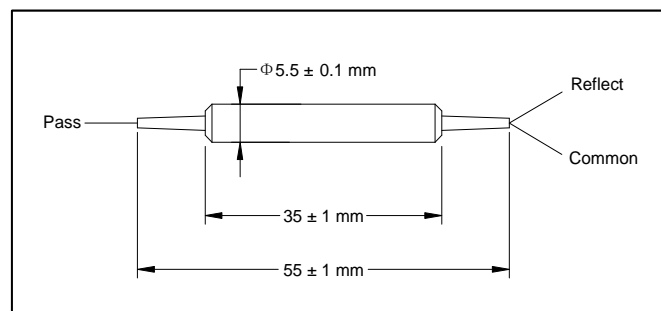
The Coarse Wavelength Division Multiplexer series is designed and manufactured to Telcordia standard. The devices use environmentally stable thin film filter and advanced packaging technology to achieve wide passband, low insertion loss, high channel isolation and excellent environmental stability. They can be used individually to perform single channel add or drop function or can be cascaded into sequence for multi-channel applications in CWDM systems.

### Specifications

Parameter	Unit	Value								
		Half band			Full band					
Filter type		Half band			Full band					
Operating Wavelength Range	nm	1460 ~ 1620			1260 ~ 1620					
Center Wavelength	nm	1471	1491	1511	1531	1551	1571	1591	1611	
Min. 0.5 dB Pass Bandwidth	nm	13								
Max. Transmission Insertion Loss	dB	0.6								
Max. Reflection Insertion Loss	dB	0.5								
Min. Adjacent Ch. Isolation	dB	25								
Min. Return Loss	dB	50								
Max. Polarization Dependent Loss	dB	0.1								
Thermal Stability	dB/°C	0.005								
Max. Optical Power (Continuous Wave)	mW	300								
Fiber Type		SMF-28 fiber								
Operating Temperature	°C	-5 to +70								
Storage Temperature	°C	-40 to +85								

\*IL is 0.3 dB higher, RL is 5 dB lower for each connector added.

### Package Dimensions



### Ordering Information

#### CWDM-①①①①-②-③-④-⑤

①①①①: Center Wavelength

1471 - 1471 nm

1491 - 1491 nm

1511 - 1511 nm

1531 - 1531 nm

1551 - 1551 nm

1571 - 1571 nm

1591 - 1591 nm

1611 - 1611 nm

SS - Specify

②: Connector Type

1 - FC/UPC

2 - FC/APC

3 - SC/UPC

4 - SC/APC

N - None

S - Specify

③: Fiber Type

B - 250 μm bare fiber

L - 900 μm loose tube

S - Specify

④: Fiber Length

1 - 1.0 m

S - Specify

⑤: Filter type

H - Half band

F - Full band