

Polarization Maintaining Filter Tap (PMFTI Series)

Rev 11

The Polarization Maintaining Tap Isolator combines a tap coupler and polarization sensitive/insensitive isolator into a single compact package. It has high extinction ratio and very low insertion loss. The component is ideal for fiber amplifier and fiber optic system where signal monitoring is required.

Specifications

Parameter	Unit	Single Stage	Dual Stage
Center Wavelength (λ_c)	nm	1310, 1480 or 1550	
Operating Wavelength Range	nm	$\lambda_c \pm 15$	
Max. Excess Loss	dB	0.8	0.9
Tap Ratio	%	$1 \pm 0.5\%$, $2 \pm 0.4\%$, $5 \pm 1.0\%$, $10 \pm 2.0\%$	
Typ. Peak Isolation	dB	40	55
Min. Isolation, $\lambda_c \pm 10$ nm, 23 °C, all polarization states	dB	30	45
Min. Extinction Ratio	dB	20	
Min. Return Loss	dB	50	
Min. Directivity	dB	50	
Max. Optical Power (Continuous Wave)	mW	300	
Max. Tensile Load	N	5	
Operating Temperature	°C	-5 to +70	
Storage Temperature	°C	-40 to +85	

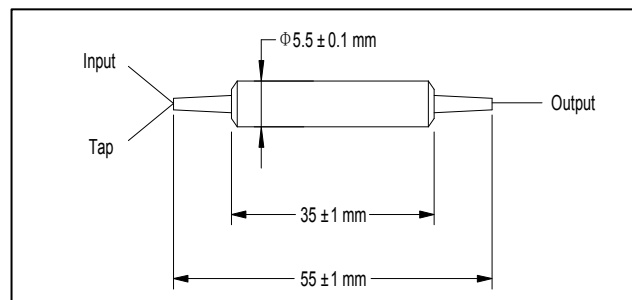
Fiber Type

SMF-28 or PM Panda fiber for tap port
PM Panda fiber for input & output ports

*IL is 0.3 dB higher, RL is 5 dB lower, and ER is 2 dB lower for each connector added. Connector key is aligned to slow axis.

*The optical path is aligned to slow axis.

Package Dimensions



Ordering Information

PMFTI-①-②②-③③-④-⑤-⑥-⑦-⑧

①: Stage	②②: Wavelength	③③: Coupling Ratio	④: Connector Type
1 - Single stage	31 - 1310 nm	01 - 1/99 10 - 10/90	1 - FC/UPC 4 - SC/APC
2 - Dual stage	48 - 1480 nm	02 - 2/98 S - Specify	2 - FC/APC N - None
	55 - 1550 nm	05 - 5/95	3 - SC/UPC S - Specify
	SS - Specify		
⑤: Fiber Jacket	⑥: Fiber Type for Tap Port	⑦: Fiber Length	⑧: Working Axis (transmission)
B - 250 μ m Panda fiber	M - SMF-28 fiber	Q - 0.75 m	F - Fast axis blocked
L - 900 μ m loose tube	P - Panda fiber	S - Specify	B - Both axis working
S - Specify	S - Specify		