

## Polarization Insensitive Tap Isolator (TAPI Series)

Rev 11

The Polarization Insensitive Tap Isolator combines a tap coupler and polarization insensitive isolator into a single compact package. It has low polarization dependent loss and very low insertion loss variation. The component is ideally suited for fiber amplifier and fiberoptic system where signal monitoring is required.

### Specifications

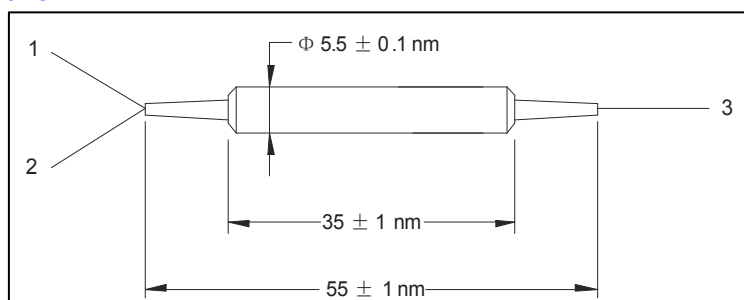
Parameters	Unit	Single Stage	Dual Stage
Center Wavelength	nm	1310 or 1550	
Typ. Peak Isolation	dB	40	55
Min. Isolation, $\lambda_c \pm 10$ nm, 23 °C, all polarization states	dB	30	45
Typ. Insertion Loss*, $\lambda_c \pm 20$ nm, 23 °C, all polarization states	dB	0.45	0.6
Max. Insertion Loss*, $\lambda_c \pm 20$ nm, -5 °C to +70 °C, all polarization states	dB	0.6	0.8
Max. Polarization Dependent Loss (Port 1 to Port 3 and Port 1 to Port 2)	dB	0.1	0.15
Max. Polarization Mode Dispersion (Port 1 to Port 3)	ps	0.25 <sup>1</sup>	0.05
Min. Directivity (Port 3 to Port 2)	dB	55	
Min. Return Loss (Input/Output)	dB	55/55	
Coupling Ratio & Tolerance**	%	1.0 $\pm$ 0.5 or specify	
Max. Optical Power (Continuous Wave)	mW	300	
Max. Tensile Load	N	5	
Fiber Type		SMF-28 fiber	
Operating Temperature	°C	-5 to +70	
Storage Temperature	°C	-40 to +85	

\*Specs are only for 1% tap ratio. \*\*Customized coupling ratio is available.

<sup>1</sup> Low PMD version is available. PMD < 0.05 ps

\*IL is 0.3 dB higher and RL is 5 dB lower for each connector added.

### Package Dimensions



### Ordering Information

TAPI-①-②②-③③-④-⑤-⑥-⑦

①: Stage	②②: Wavelength	③③: Coupling Ratio	④: PMD
1 - Single stage	31 - 1310 nm	01 - 01/99	1 - 0.05 ps max
2 - Dual stage	48 - 1480 nm	SS - Specify	2 - Refer to above spec
	55 - 1550 nm		
⑤: Connector Type	SS - Specify	⑥: Fiber Jacket	⑦: Fiber Length
1 - FC/UPC    4 - SC/APC		B - 250 $\mu$ m bare fiber	1 - 1.0 m
2 - FC/APC    N - None		L - 900 $\mu$ m loose tube	S - Specify
3 - SC/UPC    S - Specify		S - Specify	