

Mini Type Manual variable Attenuator (MVOA Series)

Rev 11 B

Mini Type Manual variable Attenuator (MVOA) operates by manually moving a shading element into optical beam. The shading element can be adjusted to get any attenuation value in a range. MVOA features low insertion loss, good resolution, integrating high stability and good reliability. It applies for pre-emphasis attenuation, transmitter power control, in-line power equalization, and amplifier power control, etc.

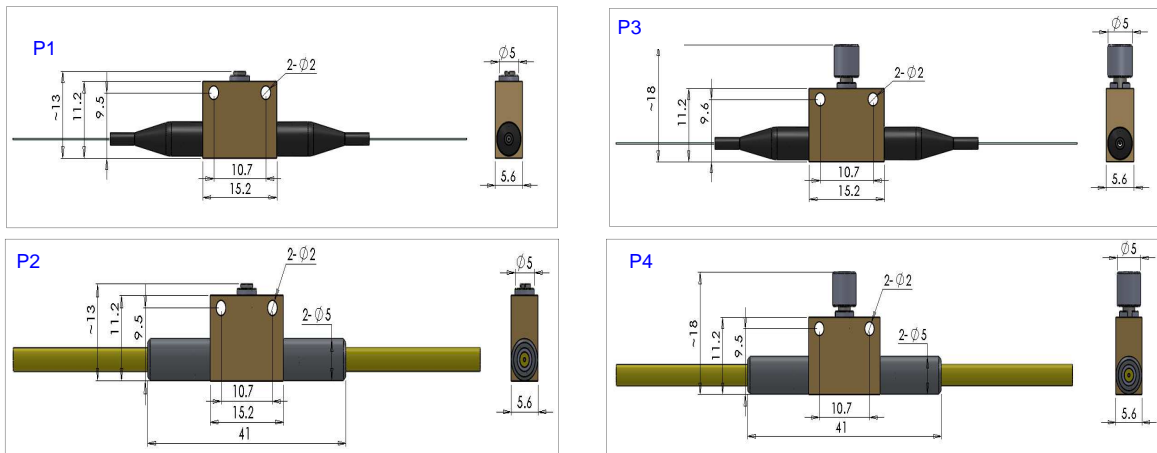
Specifications

Parameter	Unit	Value	
Center Wavelength(λ_c)	nm	780 or 850	980 or 1064
Operating Wavelength Range	nm	± 10	± 20
Max. Excess Loss	dB	1.0	0.6
Max. WDL, 23°C, minimum attenuation	dB		0.3
Min. Attenuation Range	dB		30
Resolution within 10dB Attenuation Range	dB		0.1
Min. Extinction Ratio (for PM fiber type)	dB		20
Max. PDL (for SM fiber type), 23 °C, λ_c , minimum attenuation	dB		0.05
Max. TDL at attenuation range, λ_c **	dB/°C		0.01
Min. Return Loss (for SM or PM fiber)	dB		50
Min. Return Loss (for MM fiber)	dB		25
Max. Optical Power (Continuous Wave)	mW		300
Operating Temperature	°C		0 to 70
Storage Temperature	°C		-40 to + 85

*IL is 0.5 dB higher, RL is 5 dB lower, and ER is 2 dB lower for each connector added.

**TDL is exempted when attenuation value over 30dB.

Package Dimensions



Screwdriver type

Manual type

tolerance: x— ± 1 mm ,x.x— ± 0.1 mm

* Note: Package type P1&P3 is designed for 250um or 900um fiber jacket and Package type P2&P4 is designed for 2mm or 3mm fiber jacket.

Ordering Information

MVOA-①①①①-②-③-④-⑤-⑥

①①①①: Wavelength

780 - 780 ± 10 nm

850 - 850 ± 10 nm

980 - 980 ± 20 nm

1064 - 1064 ± 20 nm

S - Specify

②: Fiber Type

H - HI fiber

P - Panda fiber

M1 - 105/125 N.A. 0.22

M5 - 50/125

M6 - 62.5/125

S - Specify

③: Connector Type

1 - FC/UPC

2 - FC/APC

3 - SC/UPC

4 - SC/APC

N - None

④: Fiber Jacket

B - 250um bare fiber

L - 900um loose tube

C - 3mm cable

2 - 2mm cable

⑤: Fiber Length

Q - 0.75 m

1 - 1.0 m

S - Specify

⑥: Package type

P1 - turn with screwdriver

P2 - turn with screwdriver

P3 - turn with manual

P4 - turn with manual