
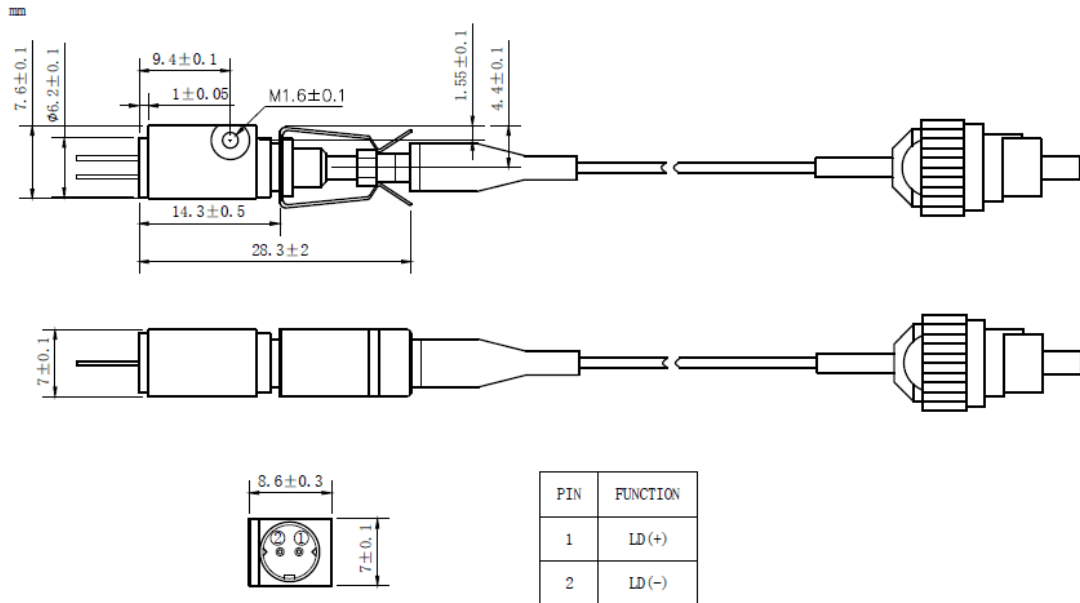


**405nm~410nm 300mW Fiber Coupled Diode Laser with MM Fiber | 105um UV Fiber**  
**410nm 300mW Multi-mode Pigtailed Laser Diode Module | Coaxial Package | Violet LD Module**  
 WSLP-410-300m-M Wavespectrum Laser Group [www.wavespectrum-laser.com](http://www.wavespectrum-laser.com)

410nm Pigtailed Diode Laser		300mW/MM Fiber		<a href="http://en.wavespectrum-laser.com.cn">en.wavespectrum-laser.com.cn</a>	
PARAMETER	SYMBOL	VALUE		UNIT	
Reverse Voltage	$V_r$	2.0		V	
Operating Temperature	$T_{op}$	0~+50		°C	
Storage Temperature	$T_{stg}$	-40~+85		°C	
Lead soldering temperature (10 sec.)	$T_{is}$	260		°C	
<b>Features:</b> <ul style="list-style-type: none"> <li>🔸 410nm</li> <li>🔸 CW Mode</li> <li>🔸 Coaxial Package</li> <li>🔸 Fiber Receptacle Optional</li> </ul>					
<b>Applications:</b> <ul style="list-style-type: none"> <li>🔸 Medical Laser Treatment</li> <li>🔸 Printing</li> <li>🔸 Others</li> </ul>					
<b>Specifications</b>	<b>WSLP-410-300m-M</b>				
	Min	Type	Max		
Center Wavelength@25°C	410nm±5nm				
Spectral Width (FWHM)	----	2.0nm	----		
Output Power	----	300mW	----		
Recommend Operating Temperature	25°C				
Fiber Type	UV Multi-mode Fiber				
Fiber Core	105um (50um, 200um Optional)				
Threshold Current (Typ.)	----	140mA	200mA		
Operating Current (Typ.)	----	360mA	380mA		
Operating Voltage	----	4.5V	5.5V		
Fiber Length	>80cm				
Fiber Connector	FC/SC/SMA905				
Package Style	Coaxial				



Package View:



Electrically shorten LD module and store in non-extreme conditions.  
Suggest using the constant current power supply.

