

INPHENIX

Super-Luminescent Light Emitting Diode (SLD)

IPSDTxxxx TO CAN Packaged Devices



Features

- High power and broad band
- Low coherence length
- Uncooled TO package
- Monitor PD is an option

Applications

- Medical diagnostic systems
- Fiber sensor systems
- Optical communication

IPSDT0801 SLD TO CAN Specifications (Tcase=25°C)

Parameter	Min.	Typ.	Max.	Unit	Test Condition
Central Wavelength	800	820	840	nm	
3 dB Bandwidth	10	15	25	nm	
Output Power	5			mW	Flat Window Output
Operating Current	-	120	150	mA	
Spectral Ripple			0.5	dB	
Beam Spread Angle:					
- Parallel		10	25	degree	
- Vertical		38	45	degree	

IPSDT0802 SLD TO CAN Specifications (Tcase=25°C)

Parameter	Min.	Typ.	Max.	Unit	Test Condition
Central Wavelength	800	820	840	nm	
3 dB Bandwidth	10	15	22	nm	
Output Power	8			mW	Flat Window Output
Operating Current	-	140	150	mA	
Spectral Ripple			0.5	dB	
Beam Spread Angle:					
- Parallel		10	25	degree	
- Vertical		38	45	degree	



IPSDT1301 SLD TO CAN Specifications (Tcase=25°C)

Parameter	Min.	Typ.	Max.	Unit	Test Condition
Central Wavelength	1280		1340	nm	
3 dB Bandwidth	35	40		nm	
Output Power	1.5			mW	Flat Window Output
Operating Current	-	120	160	mA	
Spectral Ripple			0.5	dB	
Beam Spread Angle:					
- Parallel		30	35	degree	
- Vertical		35	40	degree	

IPSDT1302 SLD TO CAN Specifications (Tcase=25°C)

Parameter	Min.	Typ.	Max.	Unit	Test Condition
Central Wavelength	1280		1340	nm	
3 dB Bandwidth	35	40		nm	
Output Power	5			mW	Flat Window Output
Operating Current	-	150	200	mA	
Spectral Ripple			1	dB	
Beam Spread Angle:					
- Parallel		30	35	degree	
- Vertical		35	40	degree	

IPSDT1301 SLD Pigtailed Coaxial Device Specifications (Tcase=25°C)

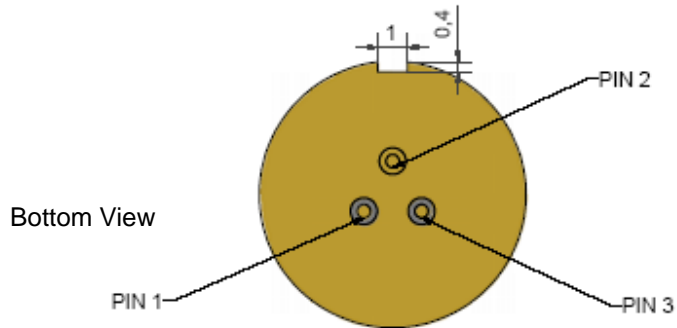
Parameter	Min.	Typ.	Max.	Unit	Test Condition
Central Wavelength	1280		1340	nm	
3 dB Bandwidth	35	40		nm	
Output Power	0.5			mW	SM Fiber Output
Forward Voltage	1.8	2	2.2	V	
Forward Current	-	120	160	mA	
Spectral Ripple			0.5	dB	

IPSDT1501 SLD Pigtailed Coaxial Device Specifications (Tcase=25°C)

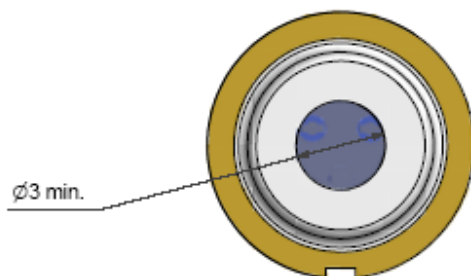
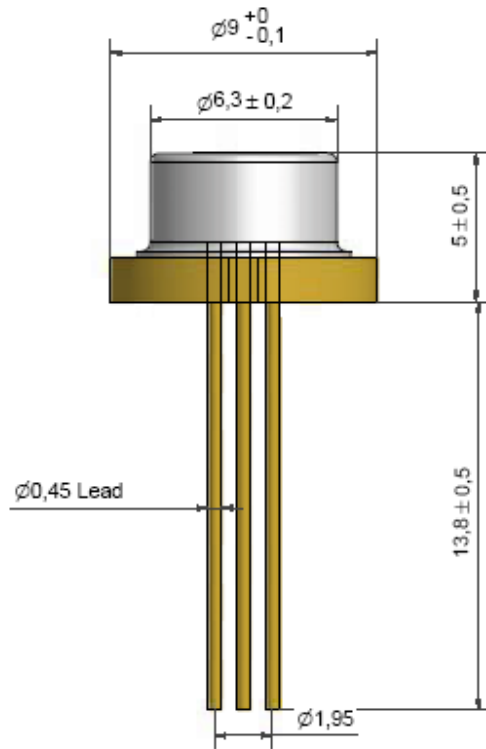
Parameter	Min.	Typ.	Max.	Unit	Test Condition
Central Wavelength	1520		1570	nm	
3 dB Bandwidth	35	40		nm	
Output Power	0.2			mW	SM Fiber Output
Forward Voltage	1.8	2	2.2	V	
Forward Current	-	120	160	mA	
Spectral Ripple			0.5	dB	

Detailed Information about operation/storage temperature available upon request: Contact sales@inphenix.com for more details

INPHENIX

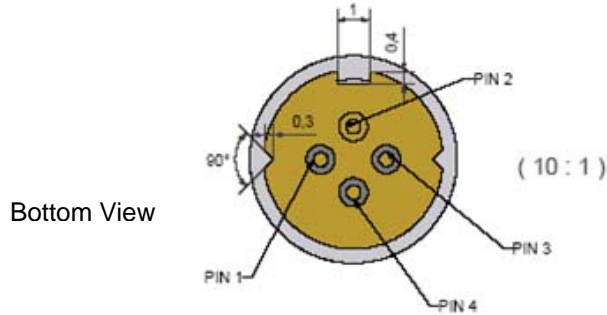


Pin#	Connection
1	SLD Anode
2	SLD Cathode, PD Cathode and Case
3	PD Anode

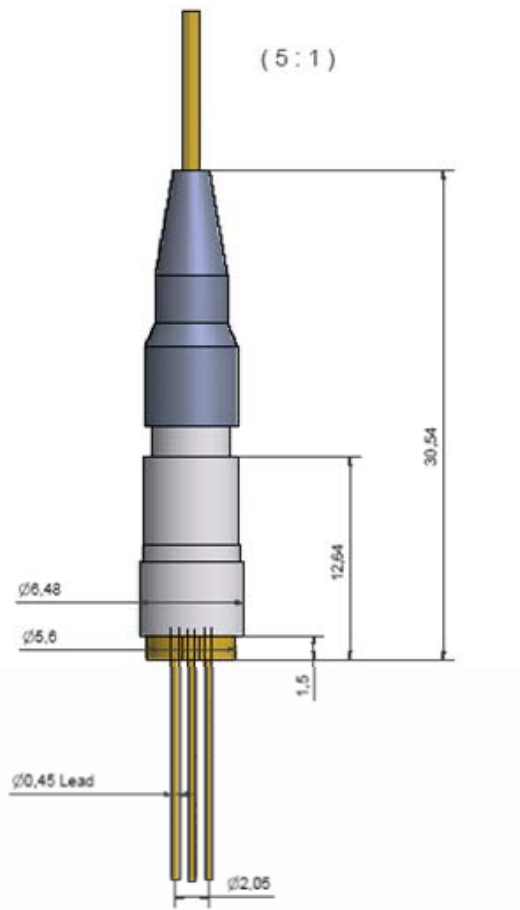


$\varnothing 9$ mm TO-CAN (TO5/TO9/TO39)

INPHENIX



Pin#	Connection
1	PD Anode
2	SLD Cathode, PD Cathode and Case
3	SLD Anode
4	

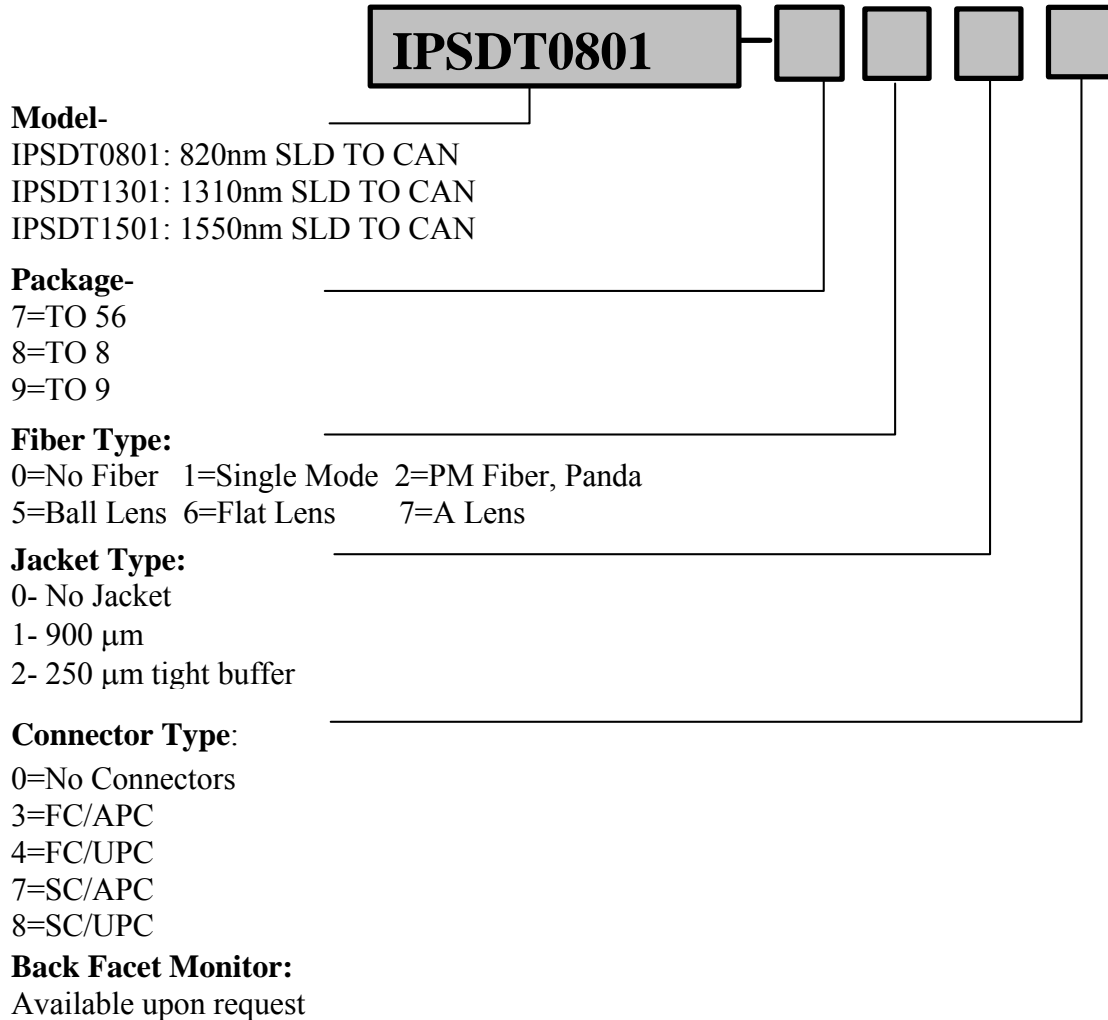


Pigtail Information	
Connector	FC/APC
Fiber	SMF
Fiber Length	0.5 m

$\phi 5.6$ mm Pigtailed Coaxial Device (TO56 Header)

INPHENIX

Part Numbering System



Example: IPSDT0801-9700:820nm SLD, TO9 packge with A lens.
IPSDT1501-9113:1550nm SLD, TO9 package, fiber (single mode) pigtailed,
900um fiber jacket, and FC/APC connector.

Corporate Office
250 North Mines Rd
Livermore, CA 94551
Tel: 925.606.8809
Fax: 925.606.8810
www.inphenix.com
sales@inphenix.com

All information contained herein is believed to be accurate and is subject to change without notification. No responsibility is assumed. Please contact InPhenix for more information. InPhenix and the InPhenix logo are trademarks of InPhenix Inc.. All rights are reserved.