

### Key Features

- Compact ASE light source OEM module with standard RS232 communication interface
- Spectrum flattening option available

### Applications

- Telecom, Test & Measurement, Sensing, R&D, etc.

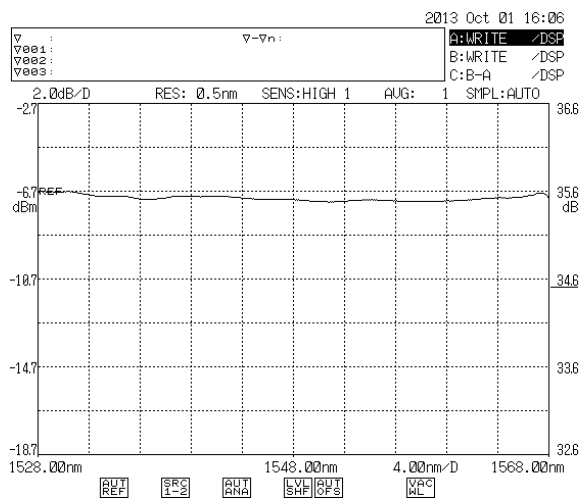
### Typical Specifications

Parameter	Min.	Typ.	Max.	Units
C-band output power	-	-	27	dBm
L-band output power	-	-	26	dBm
Operating wavelength (C-band)	1528	-	1565	nm
Operating wavelength (L-band)	1568	-	1605	nm
Temperature range of operation	15	25	45	°C
Power consumption <sup>(1)</sup>	-	-	40	W
Output Connectors	Customer specified, FC/UPC, FC/APC, etc.			

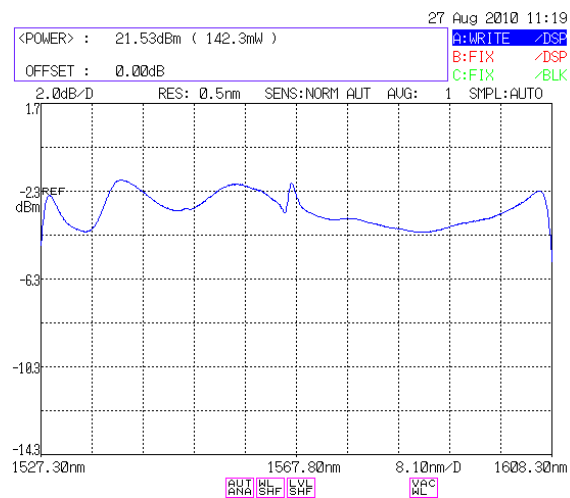
**Specifications are subject to change without prior notice**

#### Note

- (1) Electrical power consumption depends on the optical output power level

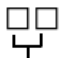
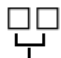

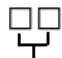



Optical Spectrum of ASE, 1528-1568nm



Optical Spectrum of C+L Band ASE, 1528-1608nm

**Ordering Information:**

ASE- 	- 	- 	- 	- 
<u>Wavelength Range</u>	<u>Package Type</u>	<u>Output Power (dBm)</u>	<u>Peak-to-peak flatness (dB)</u>	<u>Optical Termination</u>
<u>C-band</u> C0 non-flattened C4 flattened, 1528-1565 CX custom wavelength range	<u>MR</u> MSA compatible, control electronics included	Eg.: 18 +18 dBm	Eg.: 2 2 dB NA Non-flattened	<u>FCU</u> FC/UPC <u>FCA</u> FC/APC <u>LCU</u> LC/UPC <u>LCA</u> LC/APC <u>SCU</u> SC/UPC <u>SCA</u> SC/APC <u>CUS</u> Customer Specified
<u>L-band</u> L0 non-flattened L4 flattened, 1570 – 1605 LX custom wavelength range	<u>HR</u> Half-MSA compatible, control electronics included			
<u>C+L band</u> CL0 C+L band, non-flattened CL4 C+L band, flattened	<u>RS</u> Nuphoton custom chassis, control electronics included <u>PR</u> 19" rack-mount			

**Ordering Example 1:**

Model Number	ASE-C0-MR-17-NA-FCA
Wavelength Range [nm]	1528 – 1565, spectrum without flatten requirement
Package Type	Module, MSA chassis
Optical Output Power [dBm]	+17
Spectrum Flatness, peak-to-peak [dB]	Not required
Optical Input / Output Termination	FC/APC

**Ordering Example 2:**

Model Number	ASE-C4-RS-27-4-FCA
Wavelength Range [nm]	1528 – 1565, spectrum with flatten requirement
Package Type	Module, Nuphoton custom chassis
Optical Output Power [dBm]	+27
Spectrum Flatness, peak-to-peak [dB]	4 dB
Optical Input / Output Termination	FC/APC