

### Key Features

- Compact EDFA OEM module
- Optimized for input power -10dBm to 0dBm
- Extended operation temperature range available, etc., -20 to +70 °C case temp.

### Applications

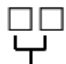
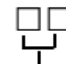
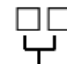
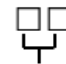
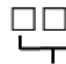
- Telecom, CATV, Test & Measurement, Sensing, R&D, etc.

### Typical Specifications

Parameter	Min.	Typ.	Max.	Units
C-band output power (DWDM)	-	-	26	dBm
C-band output power (Single Channel)	-	-	27	dBm
L-band output power (DWDM)	-	-	24	dBm
L-band output power (Single Channel)	-	-	25	dBm
Operating wavelength (C-band)	1528	-	1563	nm
Operating wavelength (L-band)	1568	-	1605	nm
Polarization sensitivity	-	-	0.3	dB
Polarization mode dispersion	-	-	0.3	ps
Temperature dependent gain	-	0.5	1.0	dB
Temperature range of operation	-5	25	65	°C
Input voltage rating	+4.75	5	+5.25	V
Power dissipation	-	-	30	W
Communication interface	RS232			
Input/Output Connectors	Customer specified, FC/UPC, FC/APC, etc.			

*Specifications are subject to change without prior notice*

**Ordering Information:**

EDFA-CW- 	-		-		-		-	
<u>Wavelength Range</u>		<u>Package Type</u>		<u>Output Power (dBm)</u>		<u>Signal Gain (dB)</u>		<u>Optical Termination</u>
<u>C-band</u> C0 single channel C4 DWDM gain flattened		MR MSA compatible, control electronics included HR Half-MSA compatible, control electronics included RS Nuphoton custom chassis, control electronics included PR 19" rack-mount		Eg.: 18 +18 dBm		Eg.: 30 30 dB		FCU FC/UPC FCA FC/APC LCU LC/UPC LCA LC/APC SCU SC/UPC SCA SC/APC CUS Customer Specified
<u>L-band</u> L0 single channel L4 DWDM gain flattened								
<u>C&amp;L-band</u> CL0 single channel CL4 DWDM gain flattened								

**Ordering Example 1 :**

Model Number	EDFA-CW-CL0-RS-20-30-FCA
Wavelength Range [nm]	1528 – 1605, single channel
Package Type	Module, Nuphoton custom chassis
Saturated Optical Output Power [dBm]	+20 [combined, +17dBm in C & L band, respectively]
Nominal Signal Gain [dB]	30
Optical Input / Output Termination	FC/APC

**Ordering Example 2 :**

Model Number	EDFA-CW-CL4-PR-23-25-2-FCA
Wavelength Range [nm]	1528 – 1605, Gain Flattened
Package Type	19" 1U rack mount
Saturated Optical Output Power [dBm]	+23 [combined, +20dBm in C & L band, respectively]
Nominal Signal Gain [dB]	25
Peak-to-peak Gain Variation [dB]	2
Optical Input / Output Termination	FC/APC