

RG, RB, GB Combiner (WDM Series)

REV 11D

The RG, RB, GB Combiner enable any two primary colors in the visible wavelength region to be combined. They offer very low insertion loss and excellent environmental stability.

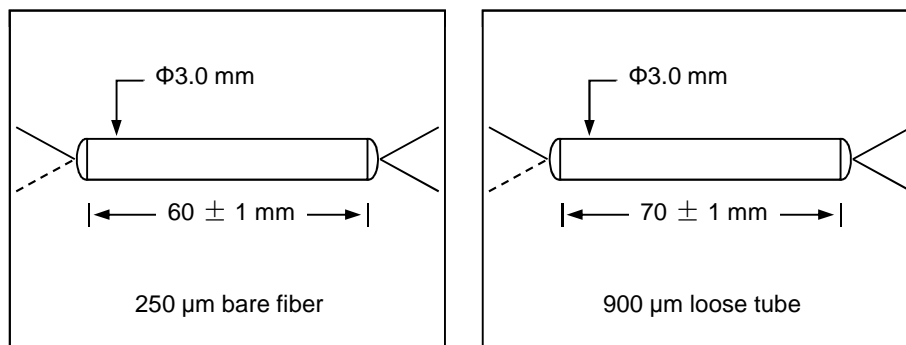
Specifications

Parameter	Unit	Value
Center Wavelength (λ_c)	nm	532(G)/635(R), 488(B)/635(R), 488(B)/532(G)
Typ. Insertion Loss, λ_c	dB	0.3
Max. Insertion Loss, λ_c	dB	0.5
Thermal Stability	dB/°C	≤ 0.002
Min. Return Loss	dB	55
Min. Directivity	dB	55
Max. Optical Power (Continuous Wave)	mW	100
Operating Temperature	°C	-40 to +75
Storage Temperature	°C	-40 to +85

*IL is 1.5 dB higher, RL is 5 dB lower for each connector added.

*The Optical Power is 50 mW only for connector added.

Package Dimensions



Ordering Information

WDM-①-②②②②②②②-③-④-⑤-⑥

①: Configuration

1 - 1 × 2

2 - 2 × 2

②②②②②②②: Wavelength

532635 - 532 & 635 nm

488635 - 488 & 635 nm

488532 - 488 & 532 nm

③: Connector Type

1 - FC/UPC 4 - SC/APC

2 - FC/APC N - None

3 - SC/UPC S - Specify

④: Fiber Jacket

B - 250 μm bare fiber

L - 900 μm loose tube

⑤: Fiber Length

Q - 0.75 m

1 - 1.0 m

S - Specify

⑥: Fiber Type

1 - Nufern 460-HP