



## 2000 W Pump Combiner (HPPC Series)

The 2000 W pump combiner is designed for combining the power of several multimode laser diodes with high efficiency. The device can handle maximum 2000 W combined power. Available for different fiber types.

### Features

- High Power Handling
- High Coupling Efficiency
- Proprietary Fiber Tapering Technique

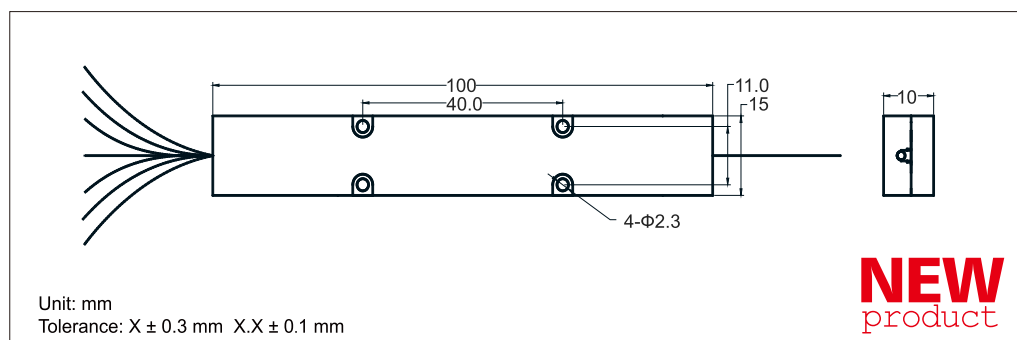
### Applications

- kW Class Fiber Laser

### Specifications

Parameter	Unit	Value
Product Type		7x1
Wavelength Range	nm	915 - 980
Fiber Type for Input		Nufern 220/242 (NA 0.22) or 200/220 (NA 0.22)
Fiber Type for Output		Nufern LMA-GDF-20/400-M (NA 0.06/0.4)
Max. Combined Power	W	2000
Typ. Pump Efficiency	%	98
Min. Pump Efficiency	%	96
Package Dimensions	mm	100 (L) × 15 (W) × 10 (H)
Operating Temperature (Active Cooling Required)	°C	-5 to + 65
Storage Temperature	°C	-40 to + 85

### Package Dimensions



### Ordering Information

#### HPPC-7x1-①①-②

①①: Fiber Type for Pump Input

22 - 220/242 (NA 0.22)

20 - 200/220 (NA 0.22)

SS - Specify

②: Fiber Length

Q - 0.75 m

S - Specify