

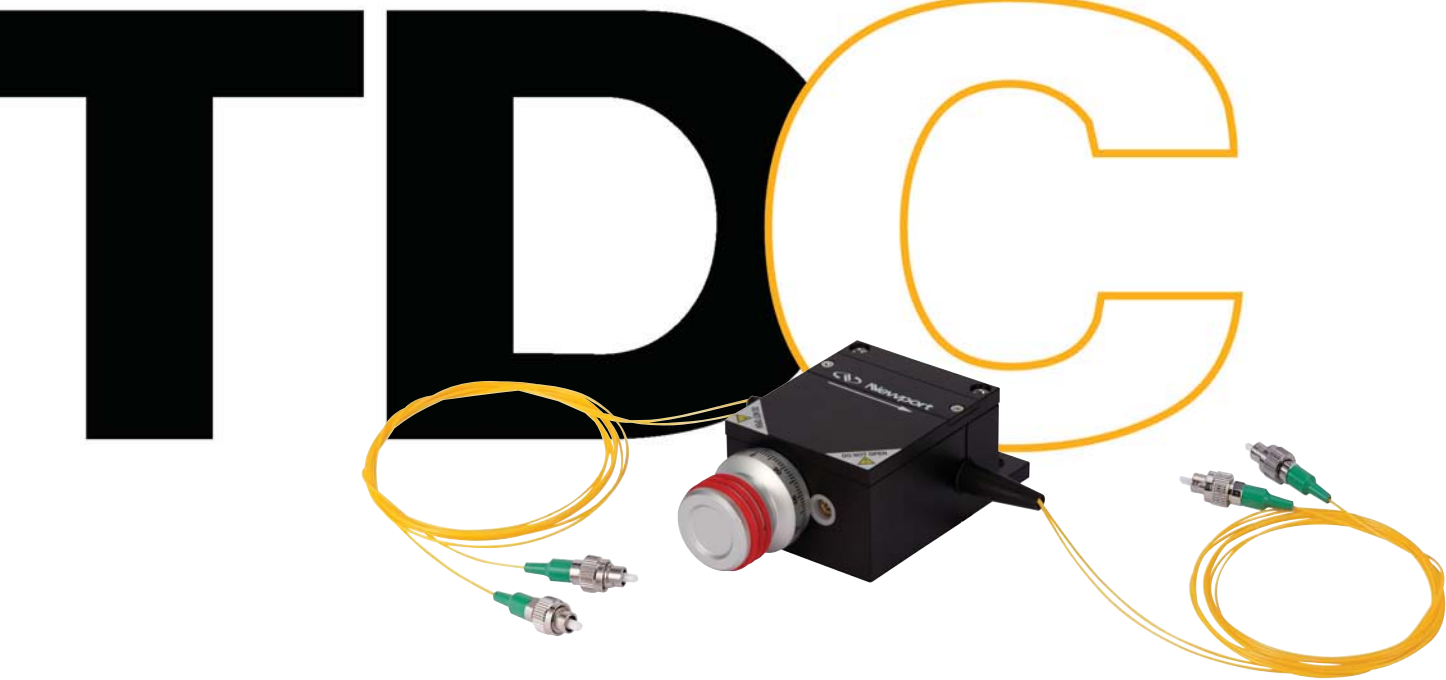
Tunable Directional Coupler

TC1410 Series

TC1410 series is an all fiber, polished directional coupler with variable coupling ratio. This device can be used to divide or combine optical

signals in fiber optics research.

With its low loss and precision mechanism, TC1410 series give you smooth and easy control of coupling ratio.



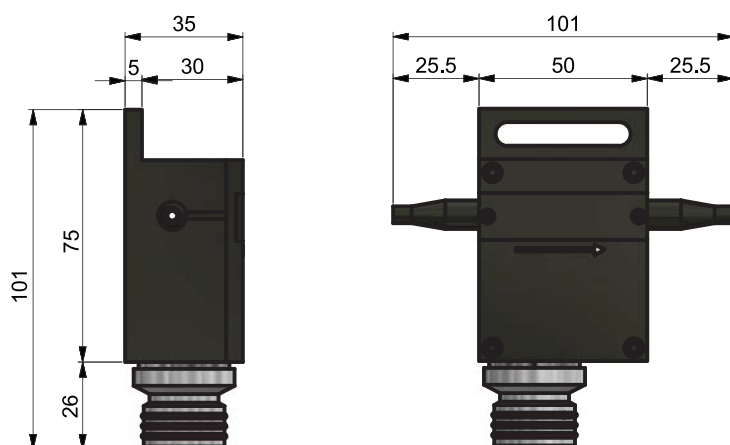
Features

- All fiber configuration
- Low excess loss
- Smooth & easy control of coupling ratio

Applications

- Fiber Optic Interferometers
- Fiber sensor
- Fiber laser

Dimensions



Specifications

Common Type	
Fiber	Fiber types can be specified by the customer
Wavelengths	633 nm, 830 nm, 1064 nm, 1300 nm, 1550 nm
Insertion Loss	< 0.1 dB (without connectors)
Tuning Range of Coupling	0% ~ 100%
Dimensions (W x D x H)	50mm x 101mm x 35mm
PM Fiber Coupler	
Polarization Extinction Ratio	> 15 dB

The specifications and technical information contained herein are subject to change without notice and are furnished without charge or obligation. They are given and accepted at recipients sole risks.

Ordering Code

TC1410 : Differential Micro Adjuster

TC1410-(1)-(2)-(3)

1. Wavelength ➔ 630 nm (063), 830 nm (083), 1060 nm (106), 1300 nm (130), 1550 nm (155)
2. Fiber type ➔ P : PM, NP : Non-PM
3. Connector type ➔ No Connector (X), FC/PC(F/P), FC/APC(F/A)

Example : TC1410-155-P-X

➔ 1550 nm PM fiber Tunable Directional Coupler With no connectors



日本デバイス株式会社 E-mail sales@j-device.com

www.j-device.com

Tel 03-6262-3424 Fax 03-6800-5883



FIBERPRO Headquarters Tel : +82-42-360-0030 Fax : +82-42-360-0050
 FIBERPRO USA Tel : +1-408-835-7796 Fax : +1-408-521-0402
 FIBERPRO CHINA Tel : +86-27-8663-5497 Fax : +86-27-8663-5701
www.fiberpro.com sales@fiberpro.com