

## 100 GHz and 200 GHz Add/Drop Module (OADMM Series)

Rev 11

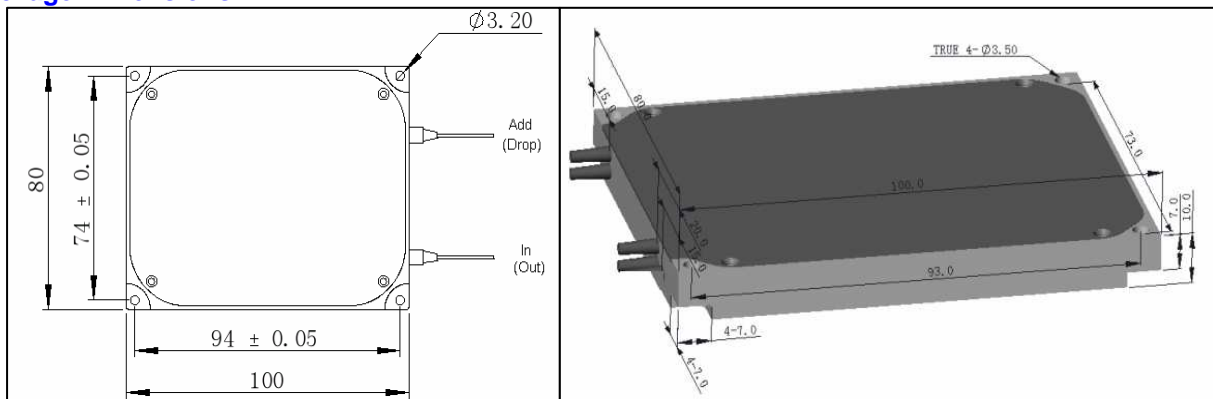
The Add/Drop module is used to drop and add one or more ITU wavelength channels with 100 GHz or 200 GHz spacing in DWDM systems. The module is based on environmentally stable thin film filter technology. It has wide bandwidth, low insertion loss, high isolation and high power handling capability.

### Specifications

Parameter	Unit	100 GHz	200 GHz
Signal Wavelength Range	nm	1530 - 1580	
Center Wavelength	nm	ITU Grid	
Pass Bandwidth @ 0.5 dB (min)	nm	ITU CH. $\pm$ 0.10	ITU CH. $\pm$ 0.25
Max. Insertion Loss @ In <----> Drop	dB	1.2	1.0
Max. Insertion Loss @ Add <----> Out	dB	1.2	1.0
Max. Insertion Loss @ In <----> Out	dB	0.8	0.8
Min. Channel Isolation @ In <----> Out	dB	25	25
Min. Channel Isolation @ In <----> Drop	dB	25	25
Max. Polarization Dependent Loss	dB	0.1	0.1
Directivity	dB	50	50
Min. Return Loss	dB	50	50
Center Wavelength Stability	nm/°C	0.002	0.002
Thermal Stability	dB/°C	0.005	0.005
Max. Optical Power	mW	300	300
Fiber Type		SMF-28 fiber	SMF-28 fiber
Tensile Load	N	5	5
Operating Temperature	°C	-5 to +70	-5 to +70
Storage Temperature	°C	-40 to +85	-40 to +85
Package Dimension	mm	100 (L) x 80 (W) x 10 (H)	

\*IL is 0.3 dB higher, RL is 5 dB lower for each connector added.

### Package Dimensions



### Ordering Information

#### OADMM-①-②②-③-④-⑤

①: Channel Spacing	③: Connector Type	④: Fiber Type	⑤: Fiber Length
1 - 100 GHz	1 - FC/UPC	B - 250 $\mu$ m bare fiber	H - 0.5 m
2 - 200 GHz	2 - FC/APC	L - 900 $\mu$ m loose tube	S - Specify
	3 - SC/UPC	C - 3 mm cable	
	4 - SC/APC	S - Specify	
②②: ITU Grid	N - None		
	S - Specify		