



## Pump Protector (PP Series)

Rev 11

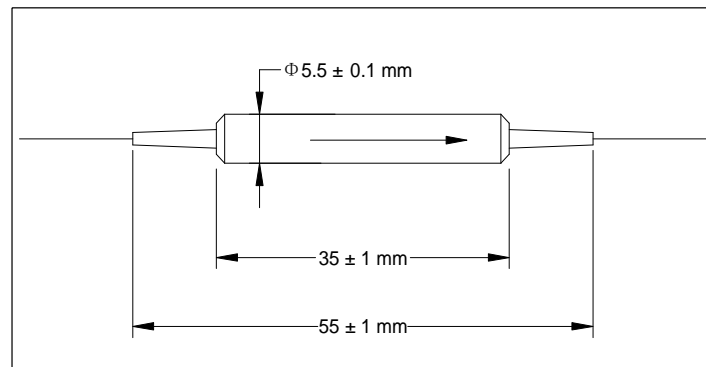
The Pump Protector is a micro optics device based on environmentally stable thin-film filter technology. It is used to block out unwanted noise signals in EDFAs and fiber laser systems. The components are characterized with high isolation, low insertion loss, high return loss, excellent environmental stability and high power handling capability.

### Specifications

Parameter	Unit	Value
Passband Wavelength Range	nm	900 - 1000 or specify
Max. Insertion Loss over Pass Band	dB	0.7
Blocked Wavelength Range	nm	1020 - 1120; 1500 - 1600 or specify
Min. Isolation	dB	25
Min. Return Loss	dB	50
Max. Polarization Dependent Loss	dB	0.1
Thermal Stability	dB/°C	0.003
Max. Optical Power (Continuous Wave)	mW	300
Max. Tensile Load	N	5
Fiber Type		HI 1060 fiber
Operating Temperature	°C	-5 to +70
Storage Temperature	°C	-40 to +85

\*IL is 0.5 dB higher, RL is 5 dB lower for each connector added.

### Package Dimensions



### Ordering Information

PP-①①①①-②-③-④

①①①①: Wavelength

9806 - 980 Pass/1060 Block

9855 - 980 Pass/1550 Block

SS - Specify

②: Connector Type

1 - FC/UPC

2 - FC/APC

3 - SC/UPC

4 - SC/APC

N - None

S - Specify

③: Fiber Jacket

B - 250 μm bare fiber

L - 900 μm loose tube

S - Specify

④: Fiber Length

1 - 1.0 m

S - Specify