

Isolator/Filter Wavelength Division Multiplexer Hybrid 1310/1550 or 1480/1550 (IWDM Series)

Rev 11

The 1310/1550, 1480/1550 IWDM series combines Filter WDM and isolator into a compact package to offer cost saving solution. This device is ideal to be used in 1310/1550 WDM network and line monitoring applications to combine two signal wavelengths and eliminate back reflection. This 1480/1550 device is ideal for fiber amplifier application to combine signal and pump wavelengths with very stable 1550 nm signal isolation. They are designed and manufactured according to Telcordia standard and capable of high power handling.

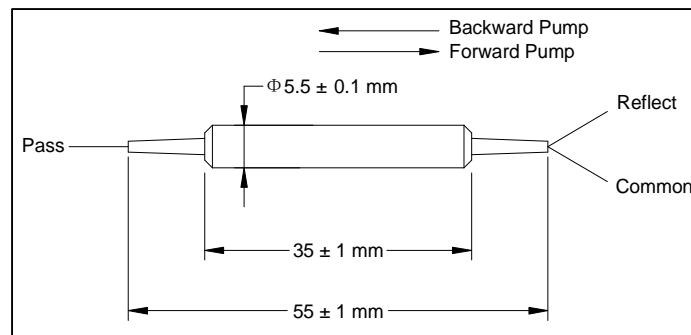
Specifications

Parameter	Unit	Single Stage	Dual Stage
Pass Band	Signal Wavelength Range		1530 - 1580
	Max. Insertion Loss	0.8	1.0
	Typ. Insertion Loss	0.5	0.7
	Typ. Peak of Signal Isolation	40	55
	Min. Signal Isolation (1550 ± 10 nm for Single Stage, 1550 ± 30 nm for Dual Stage, 23 °C)	30	45
	Max. Polarization Dependent Loss	0.1	0.15
	Max. Polarization Mode Dispersion	0.25 ¹	0.05
Reflection Band	Wavelength Range	1270 - 1350 or 1450 - 1490	
	Max. Insertion Loss	0.5	
	Typ. Insertion Loss	0.3	
	Max. Polarization Dependent Loss	0.1	
Min. Return Loss		50	
Thermal Stability		0.005	
Max. Optical Power (Continuous Wave)		300	
Max. Tensile Load		5	
Fiber Type		SMF-28 fiber	
Operating Temperature		-5 to +70	
Storage Temperature		-40 to +85	

1 Low PMD version is available. PMD < 0.05 ps

*IL is 0.3 dB higher, RL is 5 dB lower for each connector added.

Package Dimensions



Ordering Information

IWDM-31-①-②-③-④-⑤-⑥

IWDM-48-①-②-③-④-⑤-⑥

①: Pump Type

1 - Forward pump

2 - Backward pump

②: Stage Type

1 - Single stage

2 - Dual stage

③: PMD

1 - 0.05 ps max

2 - Refer to above spec

④: Connector Type

1 - FC/UPC

2 - FC/APC

3 - SC/UPC

4 - SC/APC

N - None

S - Specify

⑤: Fiber Jacket

B - 250 μm bare fiber

L - 900 μm loose tube

S - Specify

⑥: Fiber Length

1 - 1.0 m

S - Specify