

## Polarization Maintaining Filter Wavelength Division Multiplexer (PMFWDM Series)

Rev 11

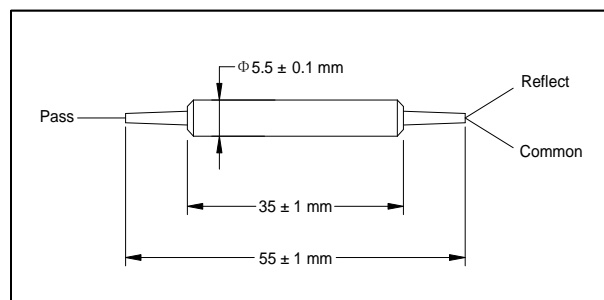
The PM FWDM series provides wavelength division multiplexing while maintaining signal polarization. The components are based on environmentally stable thin film filter technology and are characterized with high extinction ratio, low insertion loss, and high return loss. They are ideal for high speed WDM network systems.

### Specifications

Parameter	Unit	Value		
Wavelength Range	nm	1270 - 1350 (1530 - 1600)	1450 - 1490 (1530 - 1600)	1500 - 1520 (1530 - 1570)
Typ. Insertion Loss	dB	0.4	0.4	0.5
Pass Band	Max. Insertion Loss	dB	0.6	0.7
	Typ. Isolation	dB	30	30
	Min. Isolation	dB	25	25
Min. Extinction Ratio	dB	20		
Wavelength Range	nm	1530 - 1600 (1270 - 1350)	1530 - 1600 (1450 - 1490)	1530 - 1570 (1500 - 1520)
Typ. Insertion Loss	dB	0.3		
Reflection Band	Max. Insertion Loss	dB	0.5	
	Typ. Isolation	dB	15	
	Min. Isolation	dB	12	
Min. Return Loss	dB	50		
Thermal Stability	dB/°C	0.005		
Fiber Type		PM Panda fiber		
Max. Optical Power (Continuous Wave)	mW	300		
Max. Tensile Load	N	5		
Operating Temperature	°C	-5 to +70		
Storage Temperature	°C	-40 to +85		

\*IL is 0.3 dB higher, RL is 5 dB lower, and ER is 2 dB lower for each connector added. Connector key is aligned to slow axis.

### Package Dimensions



### Ordering Information

#### PMFWDM-①①①①-②-③-④

①①①①: Wavelength

3155 - 1310 Pass/1550 Reflect

5531 - 1310 Reflect/1550 Pass

4855 - 1480 Pass/1550 Reflect

5548 - 1480 Reflect/1550 Pass

5155 - 1510 Pass/1550 Reflect

5551 - 1510 Reflect/1550 Pass

②: Connector Type

1 - FC/UPC

2 - FC/APC

3 - SC/UPC

4 - SC/APC

N - None

S - Specify

③: Fiber Jacket

B - 250 μm Panda fiber

L - 900 μm loose tube

S - Specify

④: Fiber Length

Q - 0.75 m

S - Specify