

2 μm Polarization Insensitive Isolator (PSSI & PDSI Series)

Rev 11

The 2 μm Polarization Insensitive Isolator is designed and manufactured according to Telcordia standard. The unique manufacturing process and optical path epoxy-free design enhance the device high power handling capability. The device is characterized with high performance, high reliability. It is designed specially for 2 μm laser system.

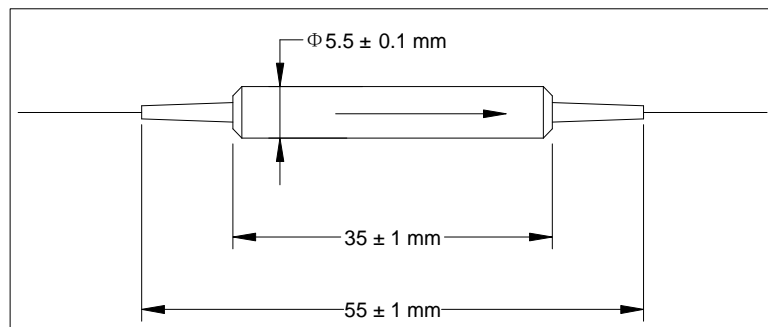
Specifications

Parameter	Unit	Single Stage	Dual Stage
Center Wavelength (λ_c)	nm		2000
Max. Polarization Dependent Loss	dB	0.15	0.20
Min. Isolation, $\lambda_c \pm 50$ nm, 23 $^{\circ}\text{C}$, all polarization states	dB	16	35
Max. Insertion Loss, $\lambda_c \pm 20$ nm, all temperature, all polarization states	dB	1.2	1.5
Min. Return Loss (Input/Output)	dB	50	50
Max. Polarization Mode Dispersion	ps	0.20	0.05
Max. Optical Power (Continuous Wave)	W		1 or 2
Max. Peak Power for ns Pulse	KW		10
Max. Tensile Load	N		5
Fiber Type			SMF-28 fiber
Operating Temperature	$^{\circ}\text{C}$		-5 to +70
Storage Temperature	$^{\circ}\text{C}$		-40 to +85

*IL is 0.3 dB higher and RL is 5 dB lower for each connector added.

*The optical power is 1 W only for connector added.

Package Dimensions



Ordering Information

Single Stage: PSSI-①①①①-②-③-④-⑤-⑥

①①①①: Wavelength

2000 - 2000 nm

SSSS - Specify

②: Handling Power

1 - 1 W

2 - 2 W

S - Specify

Dual Stage: PDSI-①①①①-②-③-④-⑤-⑥

③: Connector Type

1 - FC/UPC

2 - FC/APC

3 - SC/UPC

4 - SC/APC

N - None

S - Specify

④: Fiber Jacket

B - 250 μm bare fiber

L - 900 μm loose tube

S - Specify

⑤: Fiber Length

1 - 1.0 m

S - Specify

⑥: Power Type

P - Pulse Application

C - Continuous Wave