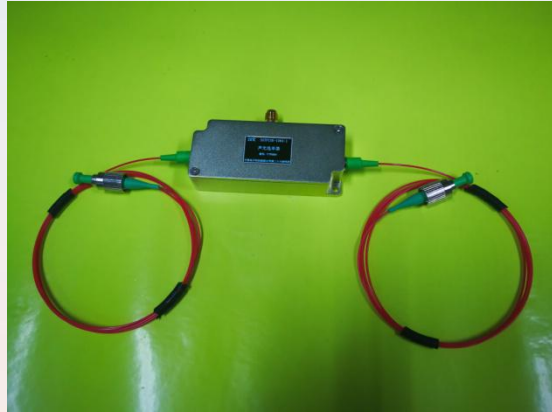


Product:

PM fiber coupled AOM

Introduction:

Acousto-optic modulator is one of the optic-electricity devices based on acoustic-optic effect, modulating the optic signals or shifting frequency with electricity controlling by manufacturing acousto-optic devices.



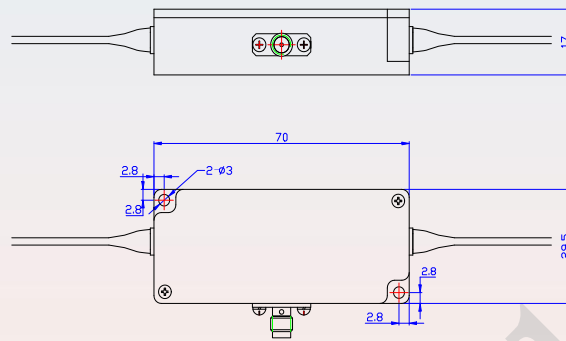
Key Features:

- Fast modulation speed
- Low insertion loss
- High extinction ratio
- Small volume
- Good temperature stability and reliability

General Specifications:

Parameters	Unit	Type (SGTXXXX-XXXX-XX)		
		“XXX” - represents for Center frequency ; “XXXX” - represents for operating wavelength ; “XX” - represents for type of fiber, “1” represents for single mode fiber; “lp” represents for polarization maintaining fiber; “2p” represents for LMA polarization maintaining fiber;		
		SGTF100-1064-XX	SGTF150-1064-XX	SGTF200-1064-XX
Optical Material	-	TeO ₂		
Wavelength	nm	1030-1080		
Light tolerance	W	≤1		
IL	dB	1.5	2.0	2.5
ER	dB	≥45		
PER	dB	≥18		
Driving power	W	1.0	1.5	1.5
Rise time	ns	40	20	10
Frequency shift	MHz	100	150	200
Frequency shift bandwidth	MHz	-	40	60
Fiber	-	PM980/FUD3460 (optional)		
Fiber optic joint	-	FC/APC		
Package Specification	-	FA		

Outline dimension:



Package Specification: FA