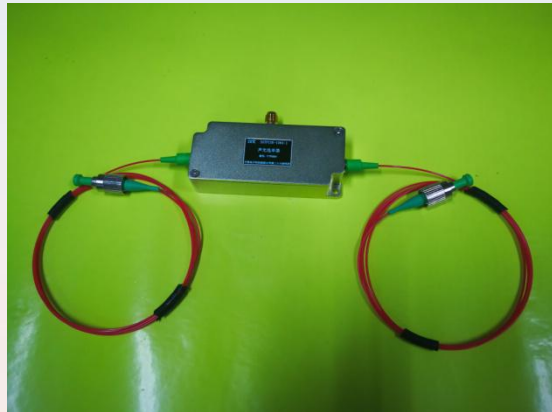


Product:

PM fiber coupled AOM

Introduction:

Acousto-optic modulator is one of the optic-electricity devices based on acoustic-optic effect, modulating the optic signals or shifting frequency with electricity controlling by manufacturing acousto-optic devices.



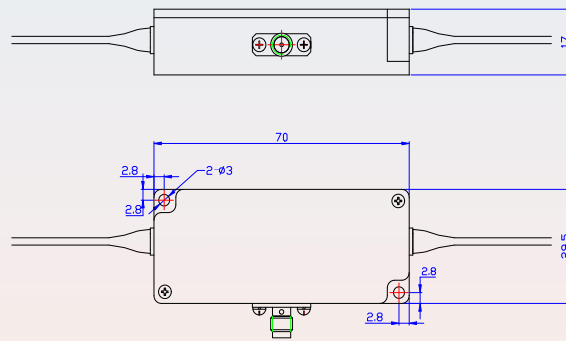
Key Features:

- Fast modulation speed
- Low insertion loss
- High extinction ratio
- Small volume
- Good temperature stability and reliability

General Specifications:

Parameters	Unit	Type (SGTXXXX-XXXX-XX)				
		“XXX”- represents for Center frequency ; “XXXX”- represents for operating wavelength ; “XX” - represents for type of fiber, “1” represents for single mode fiber; “1p” represents for polarization maintaining fiber.				
		SGTF40-1550-1P	SGTF80-1550-1P	SGTF100-1550-1P	SGTF150-1550-1P	SGTF200-1550-1P
Optical Material	-	TeO ₂				
Wavelength	nm	1530-1580				
Light tolerance	W	≤1				
IL	dB	2.0	2.5	2.5	3.5	4.5
ER	dB	≥45				
PER	dB	≥18				
Driving power	W	1	1.2	1.5	2.0	2.0
Rise time	ns	55	45	40	20	10
Frequency shift	MHz	40	80	100	150	200
Frequency shift bandwidth	MHz	-	-	-	40	60
Fiber	-	PM1550				
Fiber optic joint	-	FC/APC				
Package Specification	-	FA				

Outline dimension:



Package Specification: FA