

Preliminary



- Plug & play
- Single-pass & high-efficiency
- Compact & robust

Reference Specification sheet

Optics (General)	unit	Specification			Note
Mixer Type		Second Harmonic Generation (SHG)			
Mixer Pigtailling Type		1x0			
Input Wavelength	nm	1064			
Output Wavelength	nm	532			
Input Fiber, Connector		PM980, None			
Output Fiber, Connector		None			
Specified pump power	W	10			
Pump condition		CW, multimode mode, <0.08nm linewidth			[1]
Optics (output)	unit	Minimum	Typical	Maximum	Note
Output power @ specified pump	W	2	2.2		
Beam quality, M ²			1.1	1.2	[2]
Diameter of collimated output beam	mm	0.9	1	1.1	[2]
Waist location (from the output window)	mm	-300	0	300	[2]
Output beam (TEM ₀₀) ellipticity	%		5	10	[2]
Residual IR/output power rejection ratio	dB	40			
Output polarization state		linear @ vertical axis			
Output PER	dB	20	25		
Back reflection of IR wavelength	dB		-45	-42	
Output beam height	mm	18.4	18.9	19.4	
Output beam angle	mrad	-7.5	0	7.5	
Mechanics	unit	Specification			Note
Housing dimension (L*W*H)	mm	150x100x35			[3]
Electrics	unit	Minimum	Typical	Maximum	Note
Electrical connector		Hiroschi HR 10G-10P(73)			
Thermoelectric cooler		3.2V, 4A maximum, Qc = 6.9 W			
NTC Thermistor resistance@25°C	kΩ	10			
Thermistor B vale (B25/85)	K	3478			
PD response	V/W	0.8	1	1.2	
PD response linearity	%		2	4	[4]
Environment	unit	Minimum	Typical	Maximum	Note
Storage temperature (no humidity)	°C	-20	-	70	
Operating temperature range	°C	10	25	35	
Operating relative humidity (non condensing)	%RH	0	-	85	
Vibration / Shock		Refer to ISTA-2A			
Restriction of hazardous substances directive (RoHs)		Declaration of Conformity to 2011/65/EG			

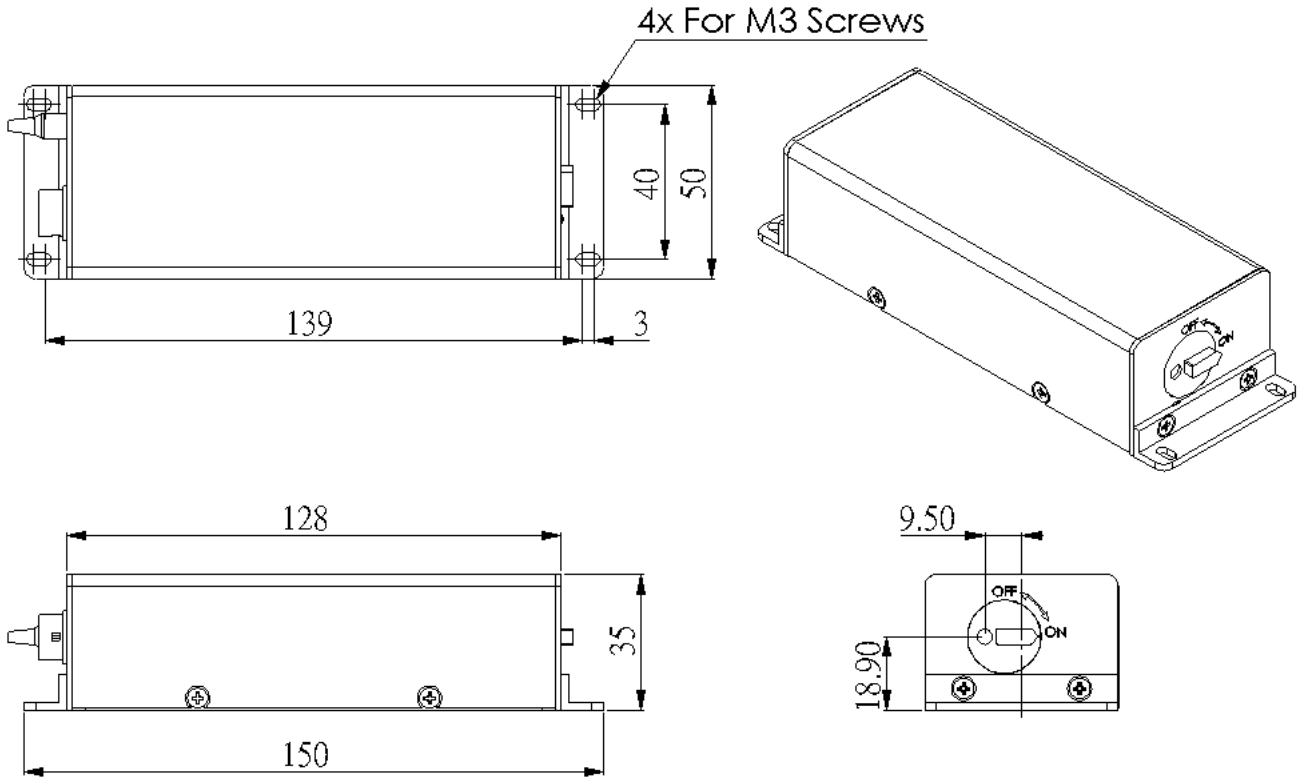
[1] Efficiency will be different for single longitudinal mode pump

[2] Defined at the target output power

[3] Including external heatsink, mixer itself is 150x50x35 mm3

[4] Defined by the range from 20% to full power

- Mechanical drawing



Unit: mm