



**デザイン変更通知 PRODUCT DESIGN CHANGE NOTICE**

	Issue by	Approved by	Approved by
日付 / DATE	Feb., 12, 2021	Feb., 12, 2021	Feb., 12, 2021
名前 / NAME	Hideaki Sato / Sales Manager	Naotoshi Shiokawa / Division Manager	Kazunori Ohinata / QA Manager

**概要 - DESCRIPTION**

FC/PC 型アダプタ 2 品種のフランジ外観の変更。

Product Design (Appearance) Change of FC/PC type adaptor flange for SAA-3 & SAA-4,

**適用製品 - DRAWING NUMBER / PART NUMBER**

従来品 (Current) : SAA-322200G および(and) SAA-422200G

外観変更後 (New) : SAA-322201G および(and) SAA-422201G

**変更理由 - REASON FOR CHANGE**

ROHS Pb レス対応に伴う部材の共通化のため。

Due to communize of ROHS Pb less metal material.

**実施日 - EFFECTIVE DATE**

従来品の在庫部材がなくなり次第、変更切り替えを実施させていただきます。

New design (New P/N) products will be shipped as soon as current stock is run out.

**記事 - NOTE**

外観変更品における使用方法、光学特性・機能に変更はありません。

変更品の価格については別途 当社営業担当より連絡させていただきます。

There is no change of usage and optical performance by different appearance of the flange.





Price revision of new P/N products will be quoted to you by our sales contact.

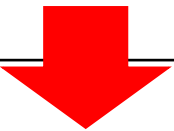
**外観 - APPEARANCE**

次ページ参照。

See next page.

# FC Adaptor SAA-3, SAA-4 Appearance

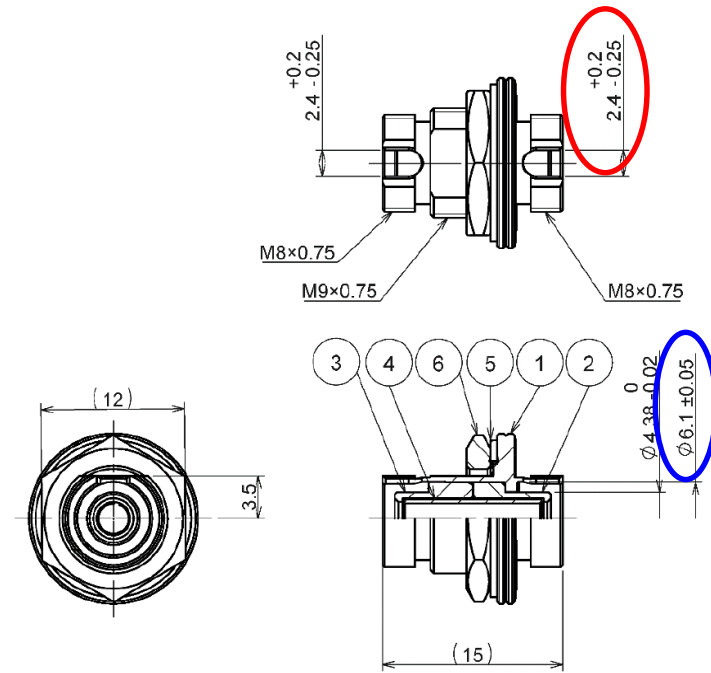
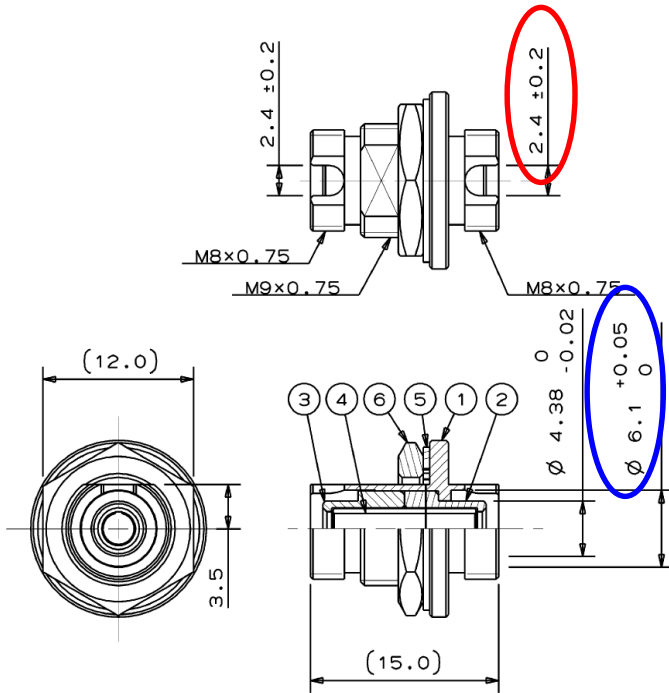
<p>従来品 (Current)</p>	<p>SAA-322200G</p>	<p>SAA-422200G</p>
		
<p>外観変更品 (New)</p>	<p>SAA-322201G</p>	<p>SAA-422201G</p>
 <p>溝追加(groove)</p>	 <p>溝追加(groove)</p>	



# FC Adaptor SAA-3 Appearance Size

SAA-322200G

SAA-322201G



Before Change

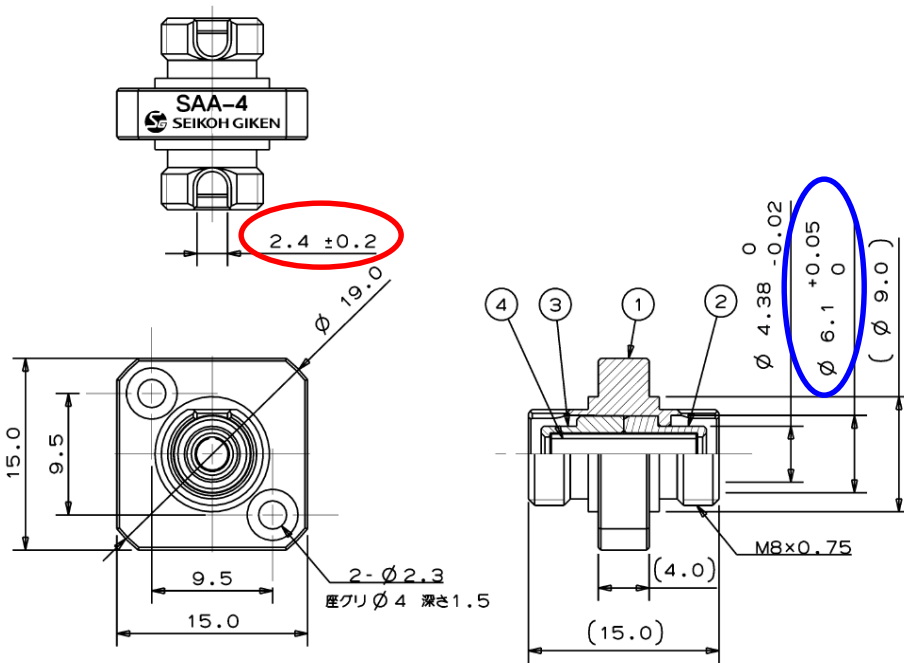
After Change

2.4 [±0.2] ⇒ 2.4 [+0.2/-0.25]

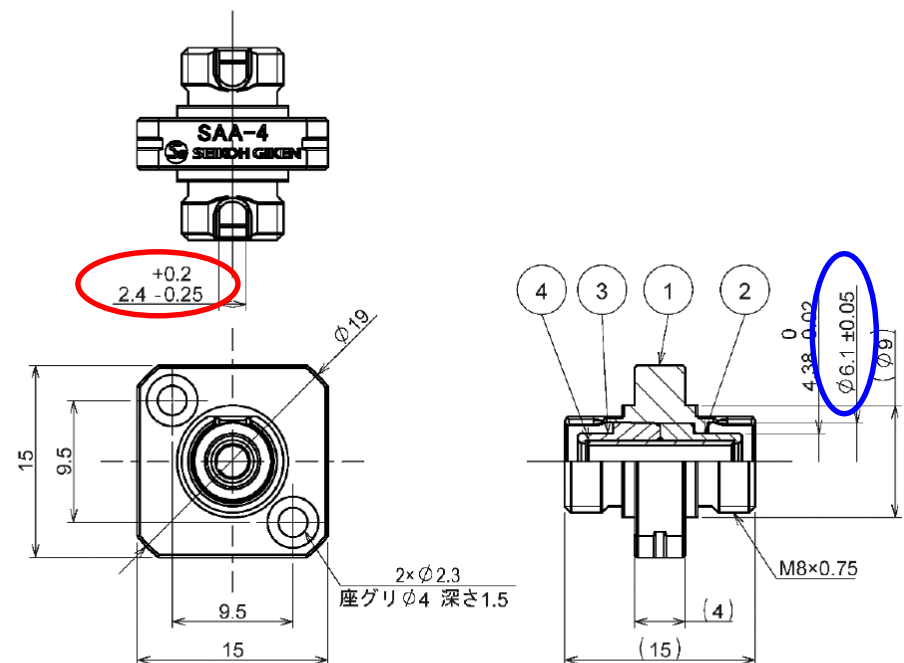
φ 6.1 [+0.05/-0] ⇒ φ 6.1 [±0.05]

# FC Adaptor SAA-4 Appearance Size

SAA-422200G



SAA-422201G



Before Change

2.4 [±0.2]

φ 6.1 [+0.05/-0]

After Change

2.4 [+0.2/-0.25]

φ 6.1 [±0.05]

⇒

⇒