



## 1064 nm Polarization Insensitive Circulator (FCIR Series)

Rev 11

### Description

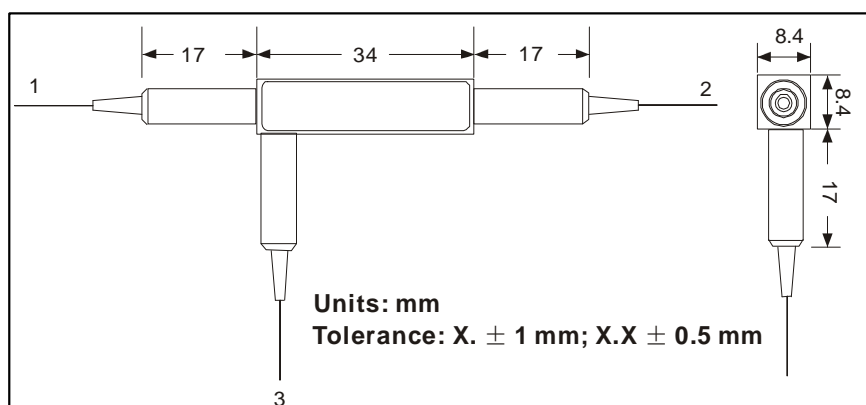
The Circulator is a compact, high performance lightwave component that routes incoming signals from Port 1 to Port 2, and incoming Port 2 signals to Port 3. The component provides high isolation, low insertion loss, low PDL, low PMD and excellent environmental stability.

### Specifications

Parameter	Unit	Value
Center Wavelength ( $\lambda_c$ )	nm	1064
Operating Wavelength Range	nm	$\lambda_c \pm 5$
Typ. Insertion Loss, 23 °C	dB	2
Max. Insertion Loss, 23 °C	dB	2.2
Min. Isolation, $\lambda_c$ , 23 °C, all polarization states	dB	20
Min. Crosstalk	dB	45
Min. Return Loss	dB	50
Max. Polarization Dependent Loss, 23 °C	dB	0.2
Max. Polarization Mode Dispersion	ps	0.1
Max. Optical Power (Continuous Wave)	mW	300
Max. Tensile Load	N	5
Operating Temperature	°C	0 to +30
Storage Temperature	°C	-40 to +85
Fiber Type	-	HI 1060 Fiber
Package Dimensions	mm	34 x 8.4 x 8.4

<sup>1</sup>IL is 0.5 dB higher and RL is 5 dB lower for each connector added.

### Package Dimensions



### Ordering Information

FCIR-①①-②-③-④

①①: Wavelength

06 - 1064 nm

SS - Specify

②: Connector Type

1 - FC/UPC

2 - FC/APC

3 - SC/UPC

4 - SC/APC

N - None

S - Specify

③: Fiber Jacket

B - 250  $\mu$ m Bare Fiber

L - 900  $\mu$ m Loose Tube

S - Specify

④: Fiber Length

1 - 1.0 m

S - Specify