



- Plug & play
- High power & high efficiency
- Compact & robust
- All-fibered (FIFO, fiber input & fiber output)

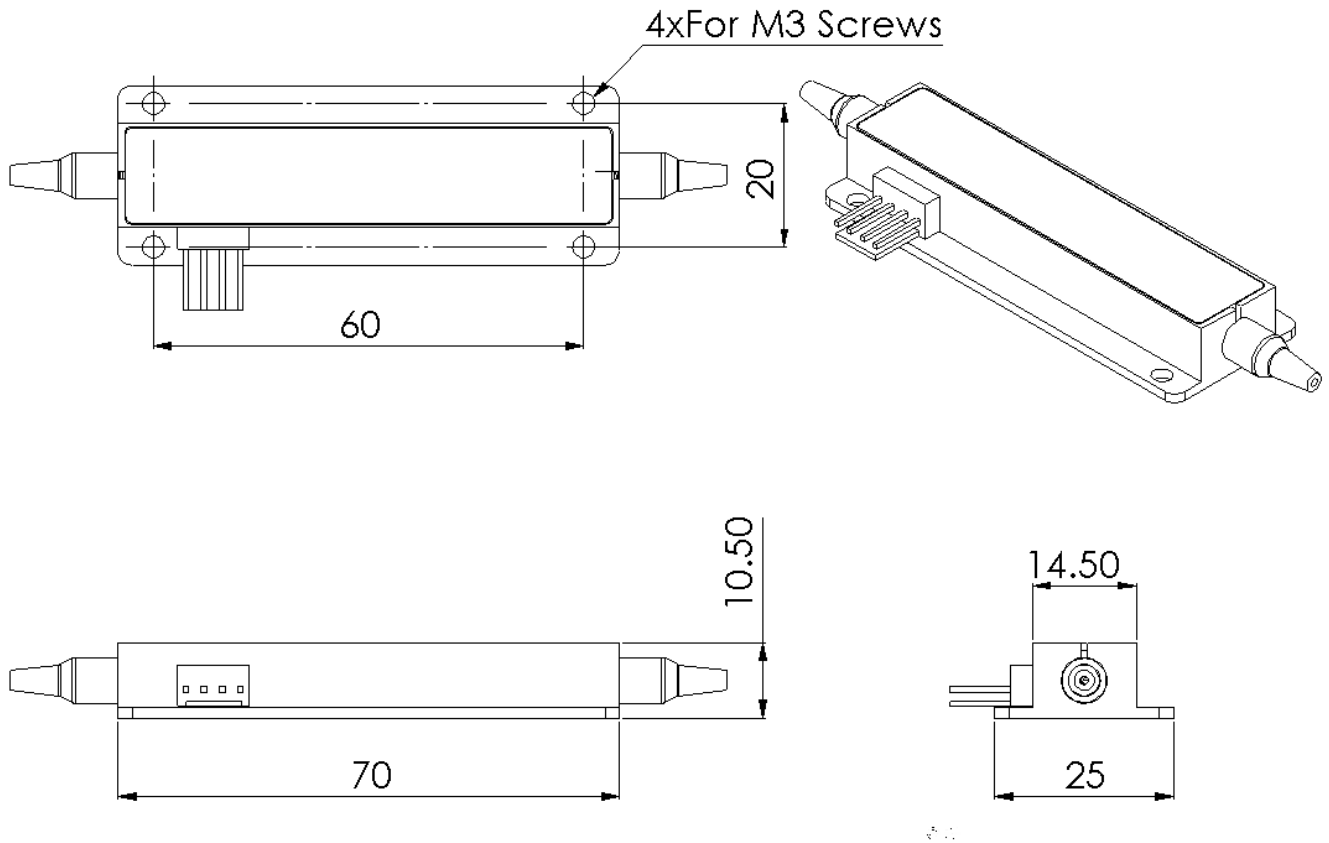
Reference Specification sheet

Optics (General)	unit	Specification			Note
Mixer Type		Second Harmonic Generation (SHG)			
Mixer Pigtailling Type		1x1			
Input Wavelength	nm	1560			
Output Wavelength	nm	780			
Input Fiber, Connector		PM1550+mode adaptor			[1]
Output Fiber, Connector		PM780/850, None			
Specified pump power	W	10			
Pump condition		CW, Single longitudinal mode			
Optics (output)	unit	Minimum	Typical	Maximum	Note
Output power @ specified pump	W	5	5.1		[2]
Output polarization state		linear @ slow axis			
Output PER	dB	18	20		
Back reflection of IR wavelength	dB		-45	-40	
Mechanics	unit	Specification			Note
Housing dimension (LxWxH)	mm	70 x 25 x 10.5			
Electrics	unit	Minimum	Typical	Maximum	Note
Electrical connector		Molex 0022112042 (4P)			
Thermoelectric cooler		~3.9V, ~1.7A maximum			
NTC Thermistor resistance@25°C	kΩ	10			
Thermistor B vale (B25/85)	K	3478			
Environment	unit	Minimum	Typical	Maximum	Note
Storage temperature (no humidity)	°C	-20	-	70	
Operating ambient temperature range	°C	15	25	30	
Operating relative humidity (non condensing)	%RH	0	-	85	
Vibration / Shock		Refer to ISTA-2A			
Restriction of hazardous substances directive (RoHs)		Declaration of Conformity to 2011/65/EU			

[1] Additional fiber mode adaptor is included.

[2] Input wavelength is not filtered. (Filter can be added optionally in different housing.)

- Mechanical drawing



Unit: mm