

## 1064 nm Polarization Maintaining Tap Coupler (PMTC Series)

Rev 11

The Polarization Maintaining Tap Coupler is manufactured by using advanced technology to allow the input signal to be splitted at various ratios with high extinction ratio.

### Specifications

Parameter	Unit	Value	
Center Wavelength ( $\lambda_c$ )	nm	1064	
Operating Wavelength Range	nm	$\lambda_c \pm 20$	
Configuration		1 × 2	2 × 2
Max. Excess Loss	dB	0.7	1.1
Max. Uniformity (only for 50%)	dB	0.6	0.8
Tap Ratio	%	1 ± 0.2%, 2 ± 0.4%, 5 ± 1.0%, 10%, and 50%	
Min. Return Loss	dB	50	
Min. Extinction Ratio	dB	20	
Max. Optical Power (Continuous Wave)	mW	300	
Max. Tensile Load	N	5	
Operating Temperature	°C	-5 to +70	
Storage Temperature	°C	-40 to +85	

Fiber Type

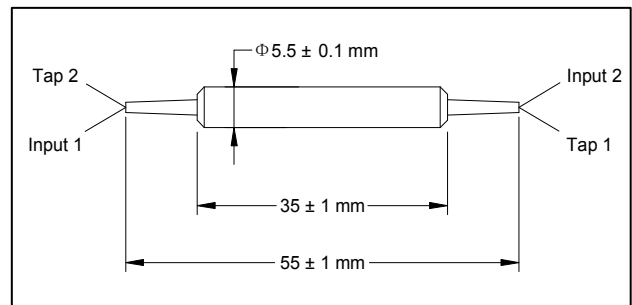
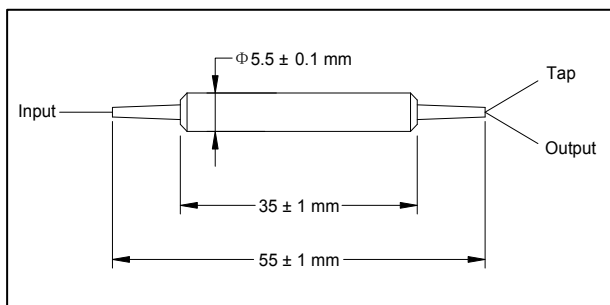
PM 980 Panda fiber or HI 1060 for Tap port

PM 980 Panda fiber for input & output ports

\*IL is 0.5 dB higher, RL is 5 dB lower, and ER is 2 dB lower for each connector added. Connector key is aligned to slow axis.

\*\*E.L. will be 0.2dB higher if tap port is HI 1060 Fiber.

### Package Dimensions



### Ordering Information

PMTC-①①-②③③-④⑤-⑥⑦-⑧

①①: Wavelength	③③: Coupling Ratio	④④: Connector Type	⑤⑤: Fiber Jacket	⑦⑦: Fiber Length
06 - 1064 nm	01 - 01/99	1 - FC/UPC	B - 250 $\mu$ m Panda fiber	Q - 0.75 m
SS - Specify	02 - 02/98	2 - FC/APC	L - 900 $\mu$ m loose tube	S - Specify
	05 - 05/95	3 - SC/UPC		
	10 - 10/90	4 - SC/APC		
②②: Configuration	50 - 50/50	N - None	⑥⑥: Fiber Type for Tap Port	⑧⑧: Working Axis
1 - 1 × 2	SS - Specify	S - Specify	H - HI 1060 fiber	F - Fast axis blocked
2 - 2 × 2			P - PM 980 Panda fiber	
			S - Specify	