

Polarization Maintaining Tap Coupler (PMTC Series)

Rev 11

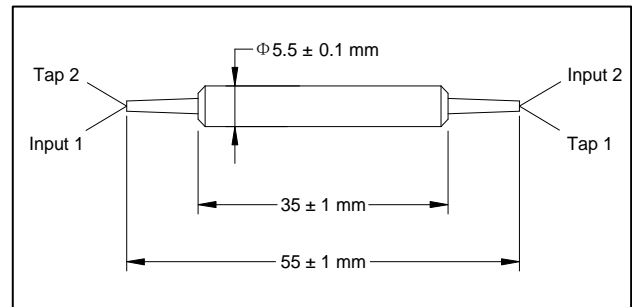
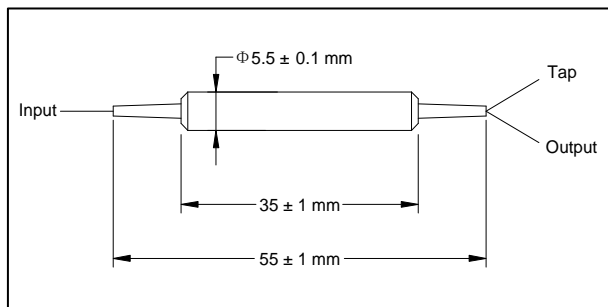
The Polarization Maintaining Tap Coupler is manufactured by using advanced technology to allow the input signal to be splitted at various ratios with high extinction ratio.

Specifications

Parameter	Unit	Value	
Center Wavelength	nm	1310 or 1550	
Operating Wavelength Range	nm	$\lambda_c \pm 40$	
Configuration		1 × 2	2 × 2
Max. Excess Loss	dB	0.7	1.1
Max. Uniformity (only for 50%)	dB	0.6	0.8
Tap Ratio	%	1 ± 0.2%, 2 ± 0.4%, 4 ± 0.8%, 5 ± 1.0%, 10%, 20% and 50%	
Min. Return Loss	dB	50	50
Min. Extinction Ratio	dB	20	20
Max. Optical Power (Continuous Wave)	mW	300	
Max. Tensile Load	N	5	
Operating Temperature	°C	-5 to +70	
Storage Temperature	°C	-40 to +85	
Fiber Type		SMF-28 or PM Panda fiber for tap port PM Panda fiber for input & output ports	

*IL is 0.3 dB higher, RL is 5 dB lower, and ER is 2 dB lower for each connector added. Connector key is aligned to slow axis.

Package Dimensions



Ordering Information

PMTC-①①-②-③③-④-⑤-⑥-⑦-⑧

①①: Wavelength	②: Configuration	③③: Coupling Ratio	④: Connector Type
31 - 1310 nm	1 - 1 × 2	01 - 01/99 10 - 10/90	1 - FC/UPC 4 - SC/APC
55 - 1550 nm	2 - 2 × 2	02 - 02/98 20 - 20/80	2 - FC/APC N - None
SS - Specify		04 - 04/96 50 - 50/50	3 - SC/UPC S - Specify
		05 - 05/95 SS - Specify	
⑤: Fiber Jacket	⑥: Fiber Type for Tap Port	⑦: Fiber Length	⑧: Working Axis
B - 250 μm Panda fiber	M - SMF-28 fiber	Q - 0.75 m	F - Fast axis blocked
L - 900 μm loose tube	P - Panda fiber	S - Specify	
S - Specify	S - Specify		