

# AlGaInP Visible Laser Diode

ADL-63302TL

6-2D-LD63-058\_Rev.01

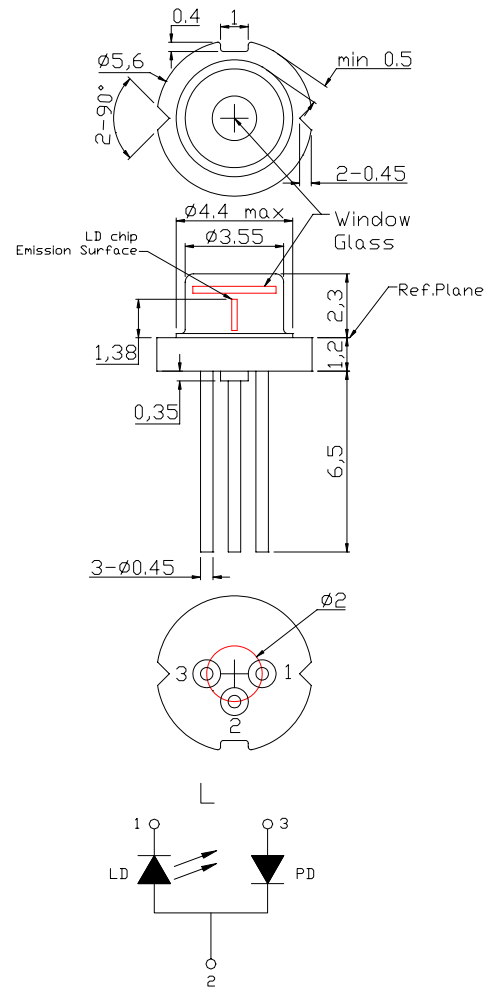
## ★635nm 30mW 50°C Reliable Operation

### •Features

1. High Output Power : 30mW CW
2. Small Package :  $\Phi 5.6\text{mm}$
3. TM mode
4. Single Transverse/Longitudinal Mode

### •Applications

1. Construction Tools
2. High Definition Laser Displays
3. Medical Applications



### •Absolute maximum ratings

Parameter	Symbol	Condition	Rating	Unit
Light output power	$P_O$	CW	35	mW
Reverse voltage (LD)	$V_{RL}$	-	2	V
Reverse voltage (PD)	$V_{RD}$	-	30	V
Forward current (PD)	$I_{FD}$	-	10	mA
Case temperature	$T_C$	-	-10~+50	°C
Storage temperature	$T_S$	-	-40~+85	°C

### •Electrical and optical characteristics ( $T_c=25^\circ\text{C}$ )

Parameter	Symbol	Min.	Typ.	Max.	Unit	Conditions
Peak wavelength	$\lambda$	630	639	645	nm	$P_o=30\text{mW}$
Threshold current	$I_{th}$	-	50	60	mA	
Operating current	$I_{op}$	-	95	110	mA	$P_o=30\text{mW}$
Operating voltage	$V_{op}$	-	2.2	2.7	V	$P_o=30\text{mW}$
Differential efficiency	$\eta$	0.30	0.60	0.90	mW/mA	$P_o=25-30\text{mW}$
Monitor current	$I_m$	0.1	0.27	0.5	mA	$P_o=30\text{mW}, V_{RD}=5\text{V}$
Parallel divergence angle	$\theta_{\parallel}$	5	8	12	deg	$P_o=30\text{mW}$
Perpendicular divergence angle	$\theta_{\perp}$	25	30	35	deg	
Parallel FFP deviation angle	$\Delta\theta_{\parallel}$	-3	0	+3	deg	
Perpendicular FFP deviation angle	$\Delta\theta_{\perp}$	-3	0	+3	deg	
Emission point accuracy	$\Delta x \Delta y \Delta z$	-80	0	+80	um	

### •Precautions

- \* Do not operate the device above maximum ratings. Doing so may cause unexpected and permanent damage to the device.
- \* Take precautions to avoid electrostatic discharge and/or momentary power spikes. A change in the characteristics of the laser or premature failure may result.
- \* Proper heat sinking of the device assures stability and lifetime. Always ensure that maximum operating temperatures are not exceeded.
- \* Observing visible or invisible laser beams with the human eye directly, or indirectly, can cause permanent damage. Use a camera to observe the laser.
- \* No laser device should be used in any application or situation where life or property is at risk in event of device failure.
- \* Specifications are subject to change without notice. Ensure that you have the latest specification by contacting us prior to purchase or use of the product.

